

奔日阀门® 擅长化工行业

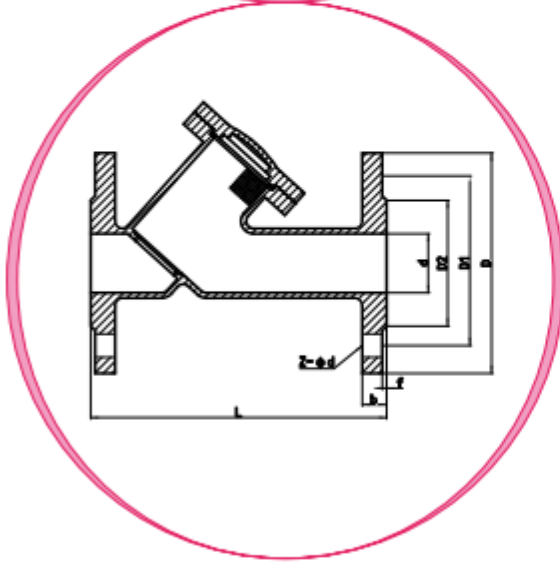
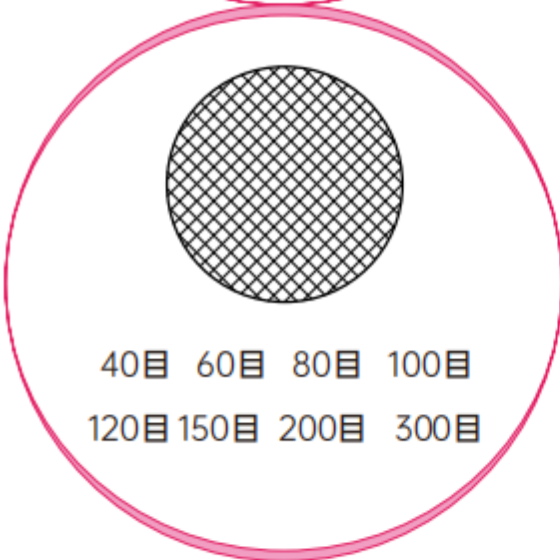
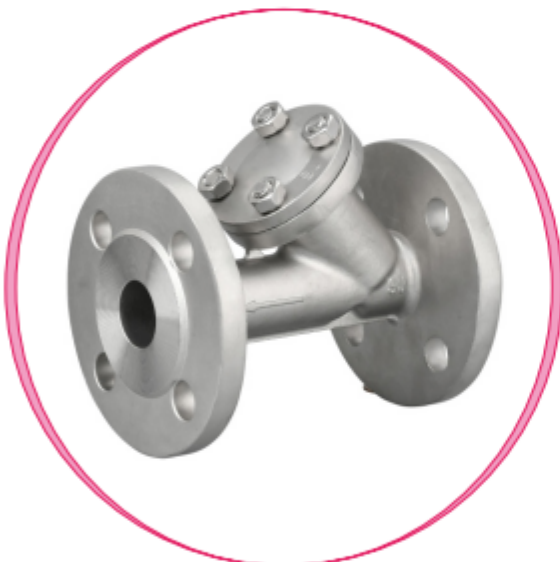
— 出口欧美16年 —

法兰过滤器系列

FLANGE FILTER SERIES



Y-TYPE FLANGED FILTER (CHEMICAL)



标准/STANDARD

制造标准: CLASS/GB
公称口径: 1/2"-20"
公称压力: PN16-100/150LB-600LB
适用温度: -196°C-429°C
通用介质: 水、油、气、酸碱类
Manufacturing standard: CLASS/GB
Nominal diameter: 1/2"-20"
Nominal pressure: PN16-100/150LB-600LB
Applicable temperature: -196°C-429°C
Applicable media: Water, Oil, Gas, and So On

材料表/MATERIAL LIST

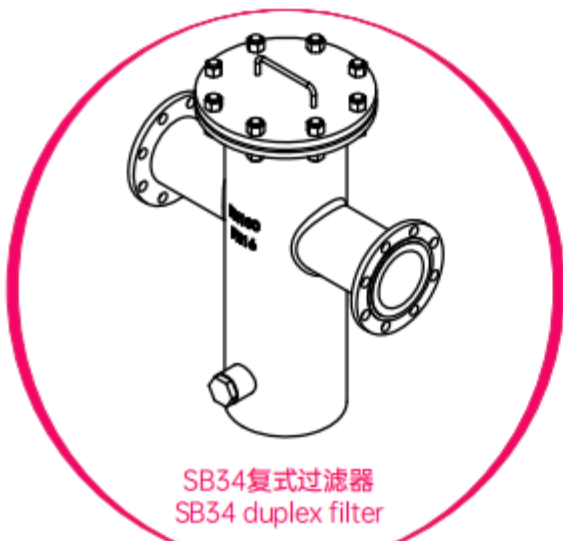
序号	零件名称 PART	材质 MATERIALS		
1	阀体 BODY	WCB	CF8	CF8M
2	阀瓣 DISC	WCB	CF8	CF8M
3	阀盖 CAP	WCB	CF8	CF8M
4	弹簧 SPRING	F304	F316L	
5	过滤网 MESH	F304	F316L	

PN16/PN25

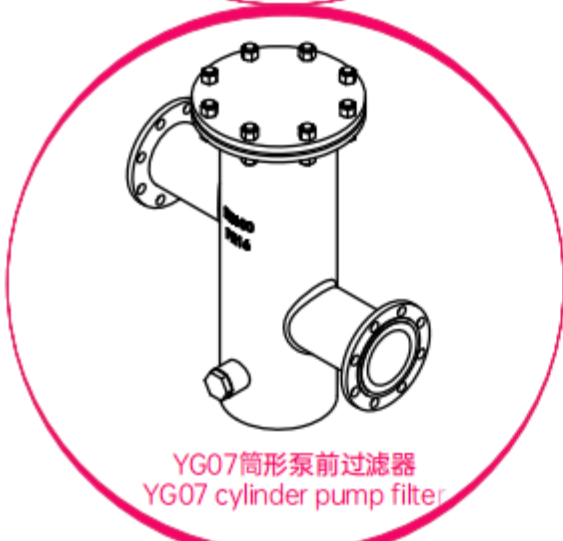
DN	L	D		D1		D2		b-f		Z-Φd	
		PN16	PN25	PN16	PN25	PN16	PN25	PN16	PN25	PN16	PN25
15	130	95	95	65	65	45	45	16-2	14-2	4-Φ14	4-Φ14
20	140	105	105	75	75	58	58	18-2	16-2	4-Φ14	4-Φ14
25	150	115	115	85	85	68	68	18-2	18-2	4-Φ14	4-Φ14
32	170	140	140	100	100	78	78	18-2	18-2	4-Φ18	4-Φ18
40	200	150	150	110	110	88	88	18-3	18-3	4-Φ18	4-Φ18
50	220	165	165	125	125	102	102	18-3	20-3	4-Φ18	4-Φ18
65	260	185	185	145	145	122	122	18-3	22-3	8-Φ18	8-Φ18
80	285	200	200	160	160	138	138	20-3	22-3	8-Φ18	8-Φ18
100	320	220	235	180	190	158	162	20-3	24-3	8-Φ18	8-Φ22
125	350	250	270	210	220	188	188	22-3	26-3	8-Φ18	8-Φ26
150	400	285	300	240	250	212	218	22-3	28-3	8-Φ22	8-Φ26
200	445	340	350	295	310	268	278	24-3	30-3	12-Φ22	12-Φ26
250	525	405	425	355	370	320	335	26-3	32-3	12-Φ26	12-Φ30
300	590	460	485	410	430	378	395	28-4	34-4	12-Φ26	16-Φ30
350	680	520	555	470	490	438	450	30-4	38-4	16-Φ26	16-Φ33
400	775	580	620	525	550	490	505	32-4	40-4	16-Φ30	16-Φ36
450	840	640	670	585	600	550	555	40-4	45-4	20-Φ30	20-Φ36
500	890	715	730	650	660	610	615	44-4	48-4	20-Φ33	20-Φ36

Class150/Class300

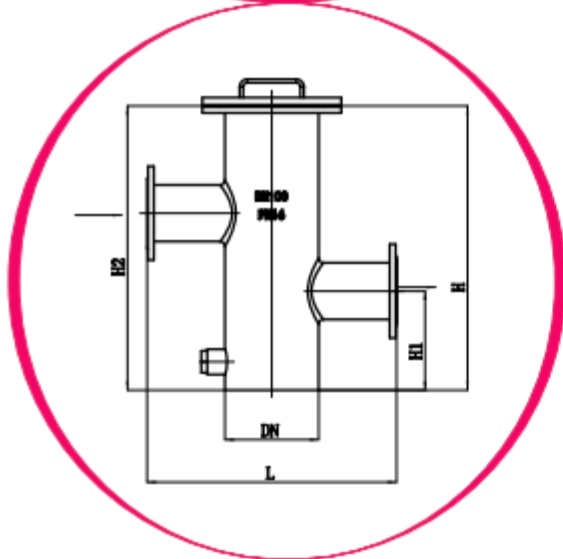
NPS	d	L		D		D1		D2		b-f		Z-Φd	
		Class 150	Class 300	Class 150	Class 300	Class 150	Class 300	Class 150	Class 300	Class 150	Class 300	Class 150	Class 300
1/2"	15	130	130	90	95	60.3	66.7	34.9	34.9	8-2	127-2	4-16	4-16
3/4"	20	140	140	100	115	69.9	82.6	42.9	42.9	8.9-2	143-2	4-16	4-19
1"	25	150	150	110	125	79.4	88.9	50.8	50.8	9.6-2	159-2	4-16	4-19
1 1/4"	32	170	170	115	135	88.9	98.4	63.5	63.5	11.2-2	175-2	4-16	4-19
1 1/2"	40	200	200	125	155	98.4	114.3	73	73	12.7-2	191-2	4-16	4-22
2"	50	220	220	150	165	120.7	127	92.1	92.1	14.3-2	207-2	4-19	8-19
2 1/2"	65	260	260	180	190	139.7	149.2	104.8	104.8	15.9-2	235-2	4-19	8-22.5
3"	76	285	285	190	210	152.4	168.3	127	127	17.5-2	27-2	4-19	8-22.5
4"	100	320	320	230	255	190.5	200	157.2	157.2	22.3-2	302-2	8-19	8-22.5
6"	150	350	350	280	320	241.3	269.9	215.9	215.9	25.9-2	35-2	8-22	12-25.5
8"	200	400	400	345	380	298.5	330.2	269.9	269.9	27-2	39.7-2	8-22	12-25.5
10"	250	445	445	405	445	362	387.4	325.8	325.8	28.6-2	46.1-2	12-25	16-29
12"	300	525	-	485	-	431.8	-	381	-	30.2-2	-	12-25	-



SB34复式过滤器
SB34 duplex filter



YG07筒形泵前过滤器
YG07 cylinder pump filter



概述 Summary

篮式过滤器是过滤器中的佼佼者，它比其它过滤器技术要求高，主要用于管道上，来处理管内高精度液体。

The blue filter is the best in the filter, It is higher than other filter technologies, mainly used for pipeline, to process high precision liquid tube.

SB34复式过滤器安装尺寸

Installation dimension of SB34 duplex filter

公称口径DN(mm) Nominal diameter	尺寸Size(mm)				管塞 Pipe plug
	L	H	H1	D0	
25	180	260	160	76	R3/4"
32	200	270	160	76	R3/4"
40	260	300	170	108	R3/4"
50	260	300	170	108	R3/4"
65	330	360	210	133	R3/4"
80	340	400	250	159	R3/4"
100	400	470	300	219	R3/4"
125	480	550	360	273	R3/4"
150	500	630	420	273	R3/4"
200	560	780	530	325	R3/4"
250	660	930	640	426	M20×1.5
300	750	1200	840	478	M20×1.5
400	850	1400	920	530	M20×1.5
450	950	1450	1000	630	M35×2.0
500	1000	1500	1050	680	M35×2.0
600	1380	2000	1400	800	M35×2.0
800	1500	2300	1640	950	M35×2.0

YG07筒形泵前安装尺寸

YG07 cylinder pump before the installation dimensions

公称口径DN(mm) Nominal diameter	尺寸Size(mm)					管塞 Pipe plug
	L	H	H1	H2	D0	
25	180	280	110	180	76	R3/4"
32	200	285	110	180	76	R3/4"
40	260	340	120	220	108	R3/4"
50	260	340	120	220	108	R3/4"
65	330	400	160	270	133	R3/4"
80	340	460	180	320	159	R3/4"
100	400	550	220	390	219	R3/4"
125	480	630	260	450	273	R3/4"
150	500	720	310	530	273	R3/4"
200	560	900	390	670	325	R3/4"
250	660	1070	480	800	426	M20×1.5
300	750	1360	640	1040	478	M20×1.5
400	850	1500	640	1200	630	M35×2.0
450	950	1550	700	1250	700	M35×2.0
500	1000	1600	640	1300	800	M35×2.0
600	1380	2000	700	1300	900	M35×2.0