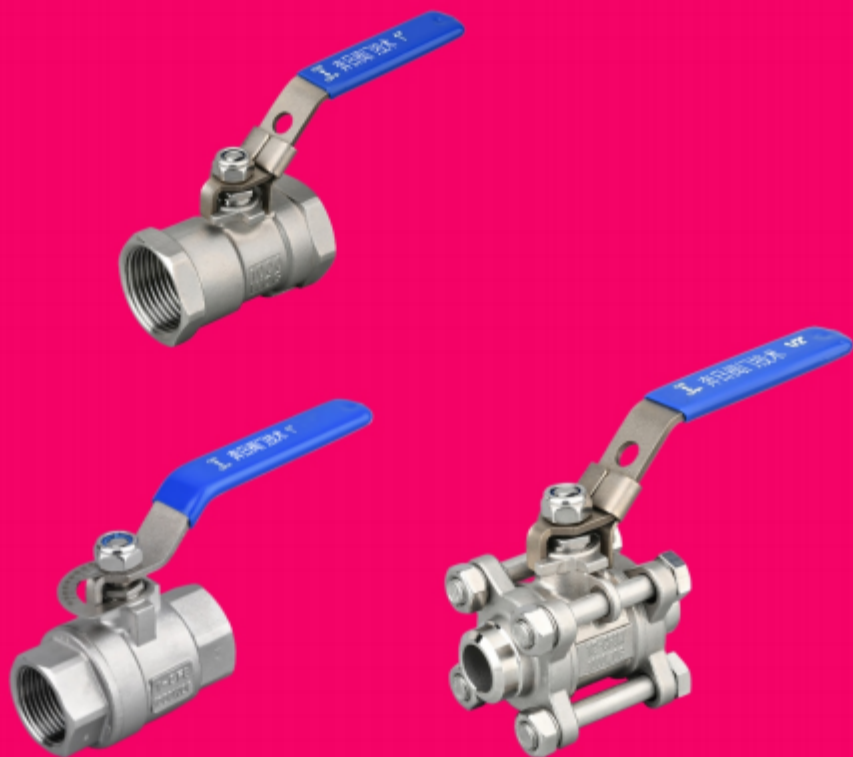


# 奔日阀门® 擅长化工行业

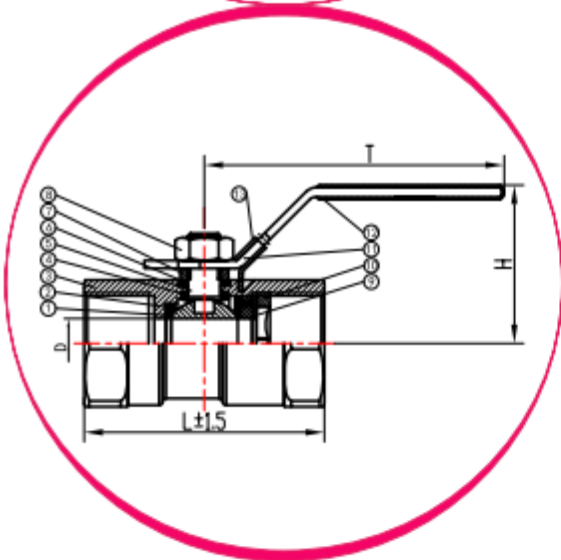
— 出口欧美16年 —

## 仪表阀系列

## INSTRUMENTATION VALVE SERIES



## ONE-PIECE THREADED BALL VALVE



### 标准/STANDARD

螺纹标准: BSPT/PT/BSP/NPT/ISO-228

公称口径: 1/4"-4"

公称压力: PN16-64/1000WOG/10K

适用温度: -29°C~180°C

通用介质: 水、油、气、酸碱类

Thread standard: BSPT/PT/BSP/NPT/ISO-228

Nominal diameter: 1/4"-4"

Nominal pressure: PN16-64/1000WOG/10K

Applicable temperature: -29°C~180°C

Applicable media: Water, Oil, Gas, and So On

### 材料表/MATERIAL LIST

序号	零件名称 PART	材质 MATERIALS
1	阀座 SEAT	RPTFE/PCTFE
2	球体 BALL	S304/S316
3	阀体 BODY	WCB      CF8      CF8M
4	止推垫圈 THRUST WASHER	RPTFE/PCTFE
5	阀杆 STEM	S304/S316
6	填料 PACKING	RPTFE/PCTFE
7	压盖 GLAND	S201/S304
8	螺母 NUT	S201/S304
9	垫圈 WASHER	S201/S304
10	柄帽 RETAINER	S304/S316
11	手柄 HANDLE	S201/S304
12	手柄套 HANDLE COVER	PVC
13	锁 LOCK	S201/S304

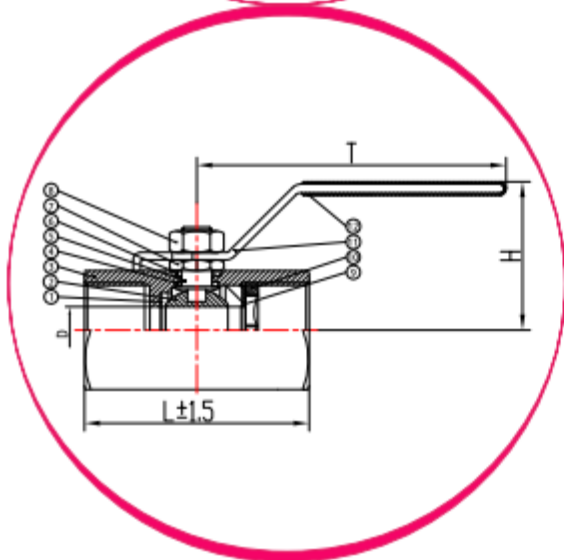
SIZE	DN	D	L±1.5	H	T
1/4"	8	5	40	35	80
3/8"	10	7	45	35	80
1/2"	15	9.1	53	50	104
3/4"	20	12	55	53	100
1"	25	15	66	55	105
1 1/4"	32	20	75	63	118
1 1/2"	40	25	82	70	131
2"	50	32	93	78	140
2 1/2"	65	40	110	89	168
3"	80	50	133	103	167
4"	100	65	182	135	203

# 一片式六角球阀

## ONE-PIECE HEXAGON BALL VALVE

奔日阀门 擅长化工行业

— 出口欧美16年 —



### 标准/STANDARD

螺纹标准: BSPT/PT/BSP/NPT/ISO-228

公称口径: 1/4"-4"

公称压力: PN16-64/1000WOG/10K

适用温度: -29°C~180°C

通用介质: 水、油、气、酸碱类

Thread standard: BSPT/PT/BSP/NPT/ISO-228

Nominal diameter: 1/4"-4"

Nominal pressure: PN16-64/1000WOG/10K

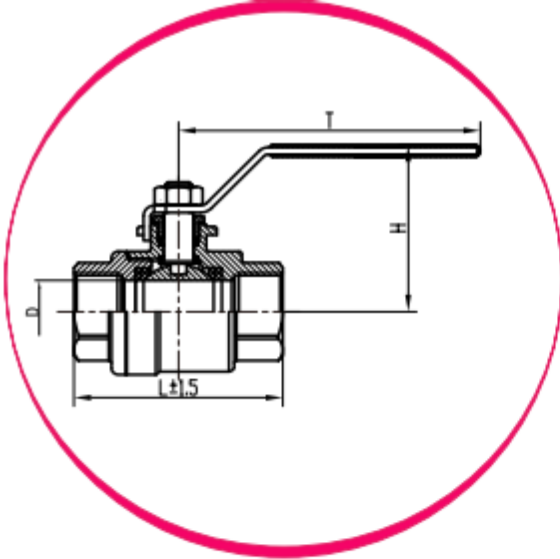
Applicable temperature: -29°C~180°C

Applicable media: Water, Oil, Gas, and So On

### 材料表/MATERIAL LIST

序号	零件名称 PART	材质 MATERIALS
1	阀座SEAT	PTFE
2	球体BALL	S304/S316
3	阀体BODY	A105/A103
4	止垫圈THRUST WASHER	PTFE
5	阀杆STEM	S304/S316
6	填料PACKING	PTFE
7	螺母NUT	S201/S304
8	螺母NUT	S201/S304
9	垫圈WASHER	S201/S304
10	阀盖CAP	S304/S316
11	手柄HANDLE	S201/S304
12	手柄套HANDLE COVER	PVC

SIZE	DN	D	L±1.5	H	T	B	K
1/4"	8	6	42	27	92	4.7	21
3/8"	10	7	47	29	69	5	25
1/2"	15	9	62	45	117	5.6	30
3/4"	20	12	70	52	118	6	36
1"	25	15	86	63	137	8.1	46
1 1/4"	32	20	90	67	157	8.5	56
1 1/2"	40	25	102	73	168	8.2	61
2"	50	31	112	81	190	9.3	75.5
2 1/2"	65	38	120	112	241	10.8	89.5
3"	80	49	140	123	244	12.7	110
4"	100	64	185	141	255	13.8	137



## 标准/STANDARD

螺纹标准: BSPT/PT/BSP/NPT/ISO-228

公称口径: 1/4"-4"

公称压力: PN16-64/1000WOG/10K

适用温度: -29°C~180°C

通用介质: 水、油、气、酸碱类

Thread standard: BSPT/PT/BSP/NPT/ISO-228

Nominal diameter: 1/4"-4"

Nominal pressure: PN16-64/1000WOG/10K

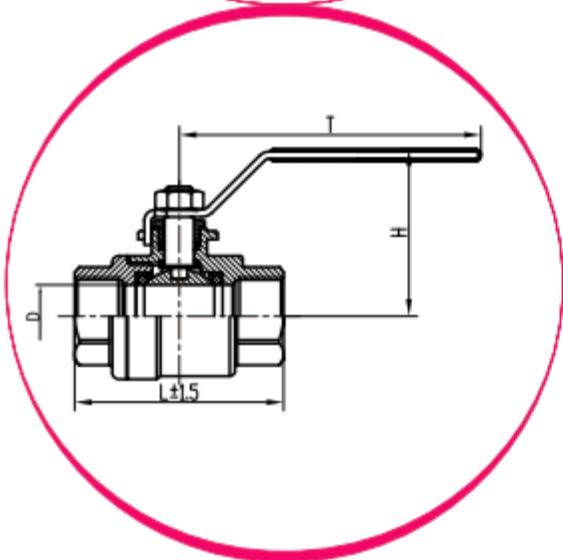
Applicable temperature: -29°C~180°C

Applicable media: Water, Oil, Gas, and So On

## 材料表/MATERIAL LIST

序号	零件名称 PART	材质 MATERIALS
1	阀体 BODY	CF3M
2	阀盖 CAP	CF3M
3	阀座 SEAT	RPTFE
4	垫圈 JOINT GASKET	RPTFE
5	止推垫圈 THRUST WASHER	RPTFE
6	填料 PACKING	RPTFE
7	压盖 GLAND	S304
8	螺母 NUT	S304
9	阀杆 STEM	S316L
10	球体 BALL	S316L
11	手柄 HANDLE	S304
12	手柄套 HANDLE COVER	PVC
13	锁 LOCK	S304

SIZE	DN	D	L±1.5	H	T
1/4"	8	10.5	52	48	93
3/8"	10	10.5	52	56	93
1/2"	15	15	56	56	104
3/4"	20	20	63	56	112
1"	25	25	71	64	128
1 1/4"	32	32	82	72	141
1 1/2"	40	38	92	82.6	160
2"	50	50	108	93.45	170
2 1/2"	65	65	144	134	208
3"	80	80	168	139	231
4"	100	100	203	174.5	288



## 标准/STANDARD

螺纹标准: BSPT/PT/BSP/NPT/ISO-228

公称口径: 1/4"-4"

公称压力: PN16-64/1000WOG/10K

适用温度: -29°C~180°C

通用介质: 水、油、气、酸碱类

Thread standard: BSPT/PT/BSP/NPT/ISO-228

Nominal diameter: 1/4"-4"

Nominal pressure: PN16-64/1000WOG/10K

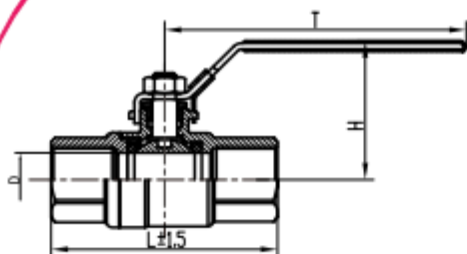
Applicable temperature: -29°C~180°C

Applicable media: Water, Oil, Gas, and So On

## 材料表/MATERIAL LIST

序号	零件名称 PART	材质 MATERIALS
1	阀体 BODY	CF3M
2	阀盖 CAP	CF3M
3	阀座 SEAT	RPTFE
4	垫圈 JOINT GASKET	RPTFE
5	止推垫圈 THRUST WASHER	RPTFE
6	填料 PACKING	RPTFE
7	压盖 GLAND	S304
8	螺母 NUT	S304
9	阀杆 STEM	S316L
10	球体 BALL	S316L
11	手柄 HANDLE	S304
12	手柄套 HANDLE COVER	PVC
13	锁 LOCK	S304

SIZE	DN	D	L±1.5	H	T
1/4"	8	10.5	52	48	93
3/8"	10	10.5	52	56	93
1/2"	15	15	62	51	107
3/4"	20	20	71	59	123
1"	25	25	81.5	68	126
1 1/4"	32	32	95	77	143
1 1/2"	40	38	106	85	160
2"	50	50	121	97	171



## 标准/STANDARD

螺纹标准: BSP/BSPP/ISO-228

公称直径: 1/4"-4"

公称压力: PN64

适用温度: -29°C~180°C

通用介质: 水、油、气、酸碱类

Thread standard: BSP/BSPP/ISO-228

Nominal diameter: 1/4"-4"

Nominal pressure: PN64

Applicable temperature: -29°C~180°C

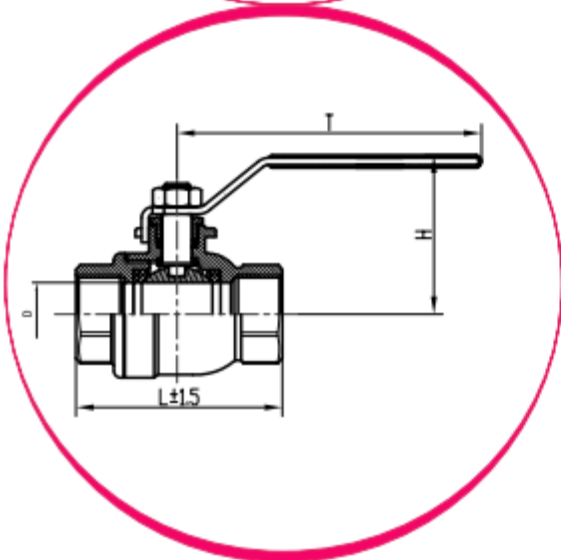
Applicable media: Water, Oil, Gas, and So On

## 材料表/MATERIAL LIST

序号	零件名称 PART	材质 MATERIALS
1	阀体 BODY	CF8 CF8M
2	阀盖 CAP	CF8 CF8M
3	阀座 SEAT	PTFE RPTFE
4	垫圈 JOINT GASKET	PTFE RPTFE
5	止推垫圈 THRUST WASHER	F304 F316L
6	填料 PACKING	PTFE RPTFE
7	压盖 GLAND	F304
8	螺母 NUT	F304 F316L
9	阀杆 STEM	F304 F316L
10	球体 BALL	F304 F316L
11	手柄 HANDLE	F304
12	手柄套 HANDLE COVER	PVC
13	锁 LOCK	F304

SIZE	DN	D	L±1.5	H	T
1/4"	8	8	55	50	89
3/8"	10	10	60	50	89
1/2"	15	15	75	56	107
3/4"	20	20	80	61	120
1"	25	25	90	67	126
1 1/4"	32	32	110	78	143
1 1/2"	40	40	120	83	160
2"	50	50	140	96	171
2 1/2"	65	65	185	124	205
3"	80	80	205	145	235
4"	100	100	235	162	296

## TWO-PIECE REDUCED BORE BALL VALVE



### 标准/STANDARD

螺纹标准: BSPT/PT/BSP/NPT/ISO-228

公称口径: 1/4"-4"

公称压力: PN16-64/1000WOG/10K

适用温度: -29°C~180°C

通用介质: 水、油、气、酸碱类

Thread standard: BSPT/PT/BSP/NPT/ISO-228

Nominal diameter: 1/4"-4"

Nominal pressure: PN16-64/1000WOG/10K

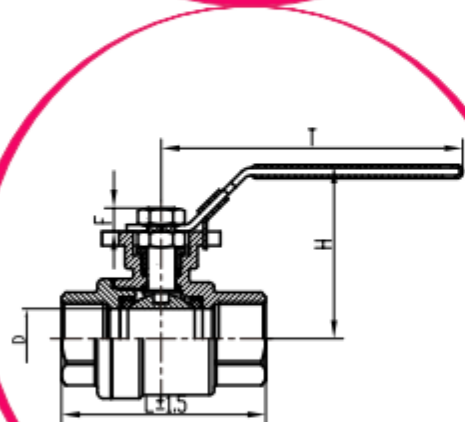
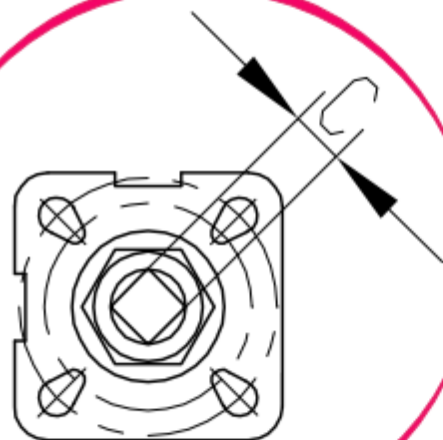
Applicable temperature: -29°C~180°C

Applicable media: Water, Oil, Gas, and So On

### 材料表/MATERIAL LIST

序号	零件名称 PART	材质 MATERIALS
1	阀体 BODY	CF3M
2	阀盖 CAP	CF3M
3	阀座 SEAT	RPTFE
4	垫圈 JOINT GASKET	RPTFE
5	止推垫圈 THRUST WASHER	RPTFE
6	填料 PACKING	RPTFE
7	压盖 GLAND	S304
8	螺母 NUT	S304
9	阀杆 STEM	S316L
10	球体 BALL	S316L
11	手柄 HANDLE	S304
12	手柄套 HANDLE COVER	PVC
13	锁 LOCK	S304

SIZE	DN	D	L±1.5	H	T
1/4"	8	9.1	50	48	90
3/8"	10	9.1	50	44	85
1/2"	15	15	53	51	98
3/4"	20	20	65	56	107
1"	25	20	72	57	120
1 1/4"	32	32	90	74	131
1 1/2"	40	38	93	80	143
2"	50	38	101	85	160
2 1/2"	65	49	125	95	171
3"	80	64	152	127	205
4"	100	78	183	145	235



## 标准/STANDARD

螺纹标准: BSP/BSPT/PT/NPT/ISO-228

公称口径: 1/4"-4"

公称压力: PN16-64/1000WOG/10K/20K

适用温度: -29°C~180°C

通用介质: 水、油、气、酸碱类

Thread standard: BSP/BSPT/PT/NPT/ISO-228

Nominal diameter: 1/4"-4"

Nominal pressure: PN16-64/1000WOG/10K/20K

Applicable temperature: -29°C~180°C

Applicable media: Water, Oil, Gas, and So On

## 特点/Features

全口径 Full port, 1/4" ~ 4" (DN8 ~ DN100)

工作压力 W.P.: PN16/PN25/1000WOG/10K/20K

工作温度 W.T.: -29°C ~ 180°C

精密铸造 Investment casting

阀杆防爆出装置设计 Blow-out proof stem

防静电装置 (可选) Anti-static device (option)

带手柄 device handle

## 材料表/MATERIAL LIST

序号	零件名称 PART	材质 MATERIALS
1	阀体 BODY	CF3M
2	阀盖 CAP	CF3M
3	阀座 SEAT	RPTFE
4	密封圈 JOINT GASKET	RPTFE
5	止推垫圈 THRUST WASHER	RPTFE
6	填料 PACKING	RPTFE
7	压盖 GLAND	S304
8	阀杆 STEM	S316
9	螺母 NUT	S304
10	球体 BALL	S316
11	手柄 HANDLE	S304
12	手柄套 HANDLE COVER	PVC
13	锁 LOCK	S304

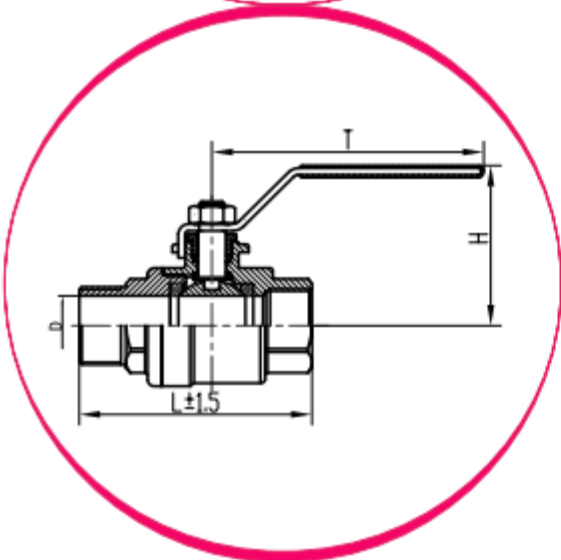
SIZE	DN	D	L±1.5	H	扭力 (NM)	T	C	F	ISO 5211
1/4"	8	8	63	68	3	131	9	8	F03/F04
3/8"	10	10	63	68	3	131	9	14	F03/F04
1/2"	15	15	63	68	3.5	131	9	13	F03/F04
3/4"	20	20	71	75	6	131	9	12	F04/F05
1"	25	25	80	88	6	167	11	12	F04/F05
1 1/4"	32	32	96	94	7.5	167	11	15	F04/F05
1 1/2"	40	40	105	118	18	193	14	19	F05/F07
2"	50	50	120	125	28	193	14	20	F05/F07
2 1/2"	65	65	145	143	32	242	17	19	F07/F10
3"	80	80	167	152	38	272	17	21	F07/F10
4"	100	100	203	169	80	295	17	19	F07/F10

# 二片式内外螺纹球阀

TWO-PIECE IN/OUT THREADED BALL VALVE

奔日阀门 擅长化工行业

— 出口欧美16年 —



## 标准/STANDARD

螺纹标准: BSPT/PT/BSP/NPT/ISO-228

公称口径: 1/4"-2"

公称压力: PN16-64/1000WOG/10K

适用温度: -29°C~180°C

适用介质: 水、油、气、酸碱类

Thread standard: BSPT/PT/BSP/NPT/ISO-228

Nominal diameter: 1/4"-2"

Nominal pressure: PN16-64/1000WOG/10K

Applicable temperature: -29°C~180°C

Applicable media: Water, Oil, Gas, and So On

## 特点/Features

全通径 Full port, 1/4" ~ 4" (DN8 ~ DN100)

工作压力 W.P.: PN16/PN25/1000WOG/10K/20K

工作温度 W.T.: -29°C ~ 180°C

精密铸造 Investment casting

阀杆防爆出装置设计 Blow-out proof stem

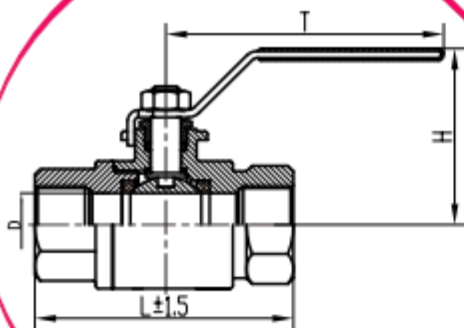
防静电装置 (可选) Anti-static device (option)

带手柄 device handle

## 材料表/MATERIAL LIST

序号	零件名称 PART	材质 MATERIALS		
1	阀体 BODY	WCB	CF8	CF8M
2	阀盖 CAP	WCB	CF8	CF8M
3	阀座 SEAT	RPTFE/PCTFE		
4	垫圈 JOINT GASKET	RPTFE/PCTFE		
5	止推垫圈 THRUST WASHER	RPTFE/PCTFE		
6	填料 PACKING	RPTFE/PCTFE		
7	压盖 GLAND	S201/S304		
8	螺母 NUT	S201/S304		
9	阀杆 STEM	S304/S316		
10	球体 BALL	S304/S316		
11	手柄 HANDLE	S201/S304		
12	手柄套 HANDLE COVER	PVC		
13	锁 LOCK	S201/S304		

SIZE	DN	D	L±1.5	H	T
1/4"	8	8	65	53	98
3/8"	10	8.5	66	49	115
1/2"	15	14	71	56	107
3/4"	20	20	82	62	112
1"	25	25	93	70	128
1 1/4"	32	32	103	73	143
1 1/2"	40	38	122	87	160
2"	50	50	135	94	171



## 标准/STANDARD

螺纹标准: BSPT/PT/BSP/NPT/ISO-228

公称口径: 1/4"-2"

公称压力: PN64-420/3000WOG/6000WOG

适用温度: -29°C~180°C

通用介质: 水、油、气、酸碱类

Thread standard: BSPT/PT/BSP/NPT/ISO-228

Nominal diameter: 1/4"-2"

Nominal pressure: PN64-420/3000WOG/6000WOG

Applicable temperature: -29°C~180°C

Applicable media: Water, Oil, Gas, and So On

## 材料表/MATERIAL LIST

序号	零件名称 PART	材质 MATERIALS		
1	阀体 BODY	WCB	CF8	CF8M
2	阀盖 CAP	WCB	CF8	CF8M
3	阀座 SEAT	NYLON/PEK/PCTFE		
4	垫圈 JOINT GASKET	RPTFE/PCTFE		
5	止推垫圈 THRUST WASHER	RPTFE/PCTFE		
6	填料 PACKING	RPTFE/PCTFE		
7	压盖 GLAND	S304		
8	螺母 NUT	S304		
9	阀杆 STEM	S304/S316		
10	球体 BALL	S304/S316		
11	手柄 HANDLE	S304		
12	手柄套 HANDLE COVER	PVC		
13	锁 LOCK	S304		

SIZE	DN	D	L±1.5	H	T
1/8"	6	6	94	56	130
1/4"	8	8	96	56	130
3/8"	10	8	96	56	130
1/2"	15	17	98	78	177
3/4"	20	22	111	86	177
1"	25	28	136	94	177
1 1/4"	32	32	138	87	163
1 1/2"	40	60	160	90	163
2"	50	48	171	123	250

## TWO-PIECE ANTI-THEFT BALL VALVE

## 标准 / STANDARD

螺纹标准: BSPT/PT/BSP/NPT/ISO-228

公称通径: 1/4"-2"

公称压力: PN16-63/1000WOG/10K

适用温度: -29°C~180°C

通用介质: 水、油、气、酸碱类

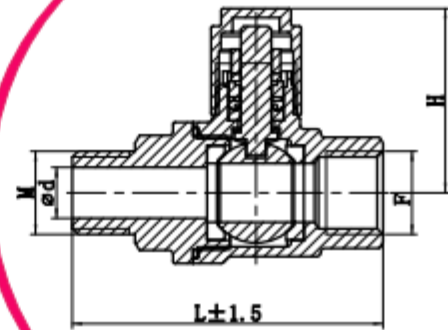
Thread standard: BSPT/PT/BSP/NPT/ISO-228

Nominal diameter: 1/4"-2"

Nominal pressure: PN16-63/1000WOG/10K

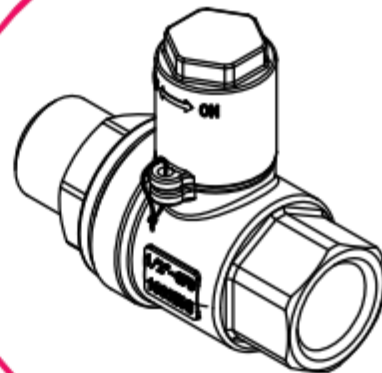
Applicable temperature: -29°C~180°C

Applicable media: Water, Oil, Gas, and So On



## 材料表 / MATERIAL LIST

序号	零件名称 PART	材质 MATERIALS
1	阀体 BODY	WCB CF8 CF8M
2	阀盖 CAP	WCB CF8 CF8M
3	阀座 SEAT	PTFE/RPTFE
4	垫圈 JOINT GASKET	RPTFE/PCTFE
5	O型圈 O-RING	EPDM/FKM/HNBR/PTFE
6	填料 PACKING	RPTFE/PTFE
7	压盖 GLAND	S304
8	螺母 NUT	S304
9	阀杆 STEM	F304/F316L
10	球体 BALL	F304/F316L
11	防盗盖 ANTI-STEALING LID	S304
12	线束 SEAL TWIG	PTFE



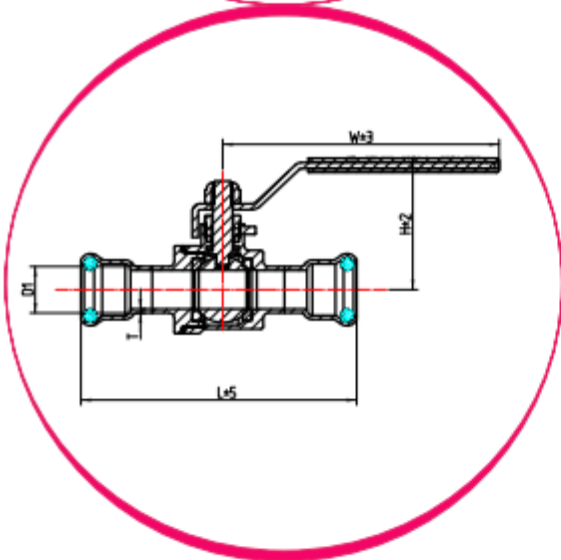
SIZE	DN	D	L	H
1/4"	8	8	65	43
3/8"	10	10	65	43
1/2"	15	15	77	47
3/4"	20	20	81	55
1"	25	25	93	64.5
1 1/4"	32	32	100.5	77
1 1/2"	40	40	112.5	88
2"	50	50	135	96

# 二片式卡压球阀

TWO-PIECE PRESS FIT BALL VALVE

奔日阀门 擅长化工行业

— 出口欧美16年 —



## 标准 / STANDARD

标准: I系、II系、欧标

公称口径: 1/2"-4"

公称压力: pn16-40

适用温度: -29°C~180°C

通用介质: 水、油、气、酸碱类

Standard: I Series, II Series, European Standard

Nominal Diameter: 1/4"-2"

Nominal Pressure: Pn16-40

Applicable Temperature: -29°C~180°C

Applicable media: Water, Oil, Gas, and So On

## 材料表 / MATERIAL LIST

序号	零件名称 PART	材质 MATERIALS	数量 QTY
1	阀体 BODY	CF8/CF8M	1
2	阀座 SEAT	PTFE/RPTFE	2
3	球体 BALL	SS304/SS316	1
4	线条 LINE	PTFE/RPTFE	1
5	止推垫圈 THRUST WASHER	PTFE/RPTFE	1
6	阀杆 STEM	SS304/SS316	1
7	填料 PACKING	PTFE/RPTFE	1-2
8	压盖 GLAND	SS304/SS316	1
9	手柄 HANDLE	SS201/SS304	1
10	螺母 NUT	SS201/SS304	1
11	O型圈 O-rings	EPDM/HNBR/FKM	1
12	卡压接头 joint	SS304/SS316	2
13	O型圈 O-rings	EPDM/HNBR/FKM	2

## 单卡欧标

D1	T	L+3	H	A
15	1	109.5	55.5	98.5
18	1.5	111.5	58.5	104
22	1.5	116	58.5	104
28	1.5	126	66.5	110
35	1.5	152.5	80	140.5
42	1.5	174.5	84.5	149.5
54	1.5	186	86	160.5



可齿轮箱式



可电动式

# 二片式卡压球阀

TWO-PIECE PRESS FIT BALL VALVE

奔日阀门 擅长化工行业

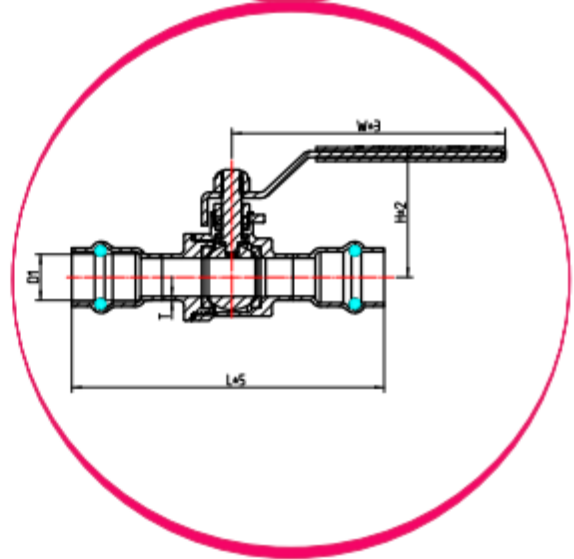
— 出口欧美16年 —

## 双卡欧标

D1	T	L±3	H	A
15	1	118	55.5	98.5
18	1.5	119	58.5	104
22	1.5	124.5	58.5	104
28	1.5	129	66.5	110
35	1.5	158	80	140.5
42	1.5	190.5	84.5	149.5
54	1.5	204	86	160.5

## 双卡国标系

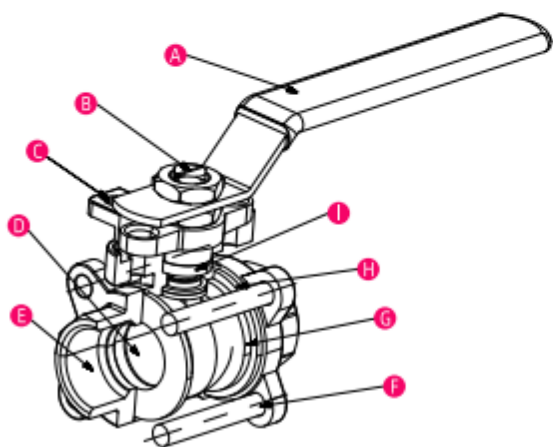
D1	T	L±5	H	A
16	0.8	126	42	92
20	1	134.5	59	123
25.4	1	152	68	126
32	1.2	181.5	77	143
40	1.2	214	85	160
50.8	1.2	252	97	171
76.1	2	319	133	208
88.9	2	331	139	231
101.6	2	440	174.5	288



可气动式



可手柄式



<b>A</b>	Strong enough handle indicating flow direction with optional locking device exactitude handle locking for ball and cap Centrality, reduce pressure losing
<b>B</b>	Standard square stem and standard length for suitable actuator
<b>C</b>	High enough ISO direct mounting pad for easy assemble Automation
<b>D</b>	High flow capacity with avoiding pressure reduceing at full opening
<b>E</b>	Large range of end connections for full bore
<b>F</b>	More easy in-line repair with swing out body
<b>G</b>	Several type of ball seat including metal seats for control applications
<b>H</b>	2-pc seat design for pressure blance in open and shut valve
<b>I</b>	Interchangeable seat, stems and seals for several applications



Extended tube  
加长焊

Clamp  
快装

Butt Weld  
对焊

Socket Weld  
承插焊

Screwed  
内螺纹

Flange  
法兰



可齿轮箱式



可电动式

# 三片式内螺纹球阀

## THREE-PIECE THREADED BALL VALVE

奔日阀门 擅长化工行业

— 出口欧美16年 —

### 标准 / STANDARD

螺纹标准: BSP/BSPT/PT/NPT/ISO-228

公称通径: 1/4"-4"

公称压力: PN16-25/1000WOG/10K

适用温度: -29°C~180°C

通用介质: 水、油、气、酸碱类

Thread standard: BSP/BSPT/PT/NPT/ISO-228

Nominal diameter: 1/4"-4"

Nominal pressure: PN16-25/1000WOG/10K

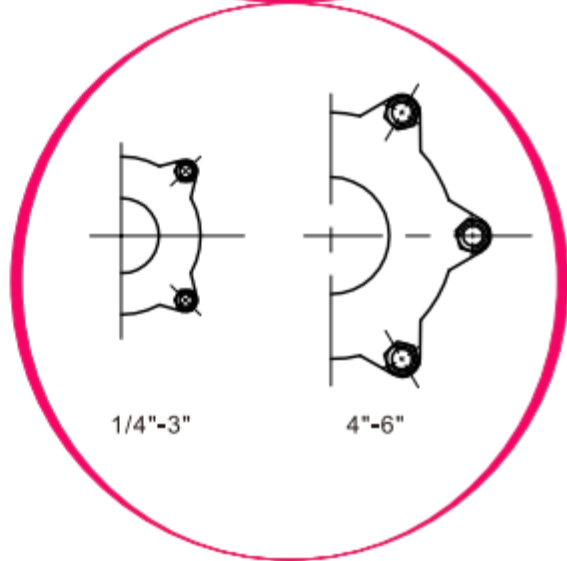
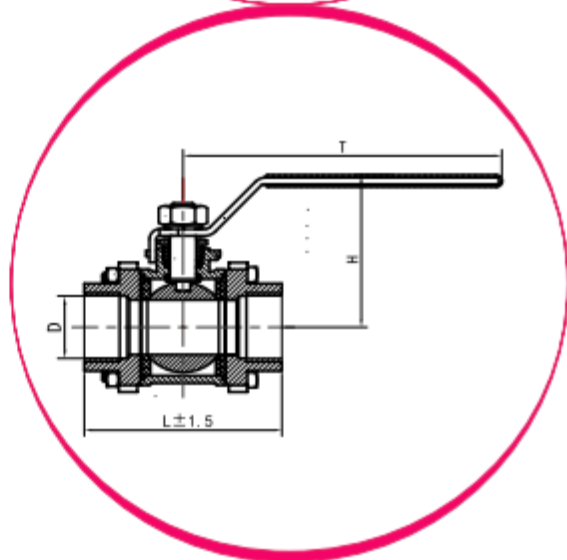
Applicable temperature: -29°C~180°C

Applicable media: Water, Oil, Gas, and So On



### 材料表 / MATERIAL LIST

序号	零件名称 PART	材质 MATERIALS
1	阀体 BODY	CWB/CF8/CF8M
2	球体 BALL	S304/S316
3	螺栓 BOLT	S201/S304
4	螺母 NUT	S201/S304
5	填料 PACKING	RPTFE/PCTFE
6	阀杆 STEM	SS304/SS316
7	压盖 GLAND	S201/S304
8	螺母 NUT	S201/S304
9	阀盖 CAP	CF8 CF8M
10	阀座 SEAT	RPTFE/PCTFE
11	止推垫圈 THRUST WASHER	RPTFE/PCTFE
12	手柄 HANDLE	S201/S304
13	手柄套 HANDLE COVER	PVC
14	锁 LOCK	S201/S304



可气动式

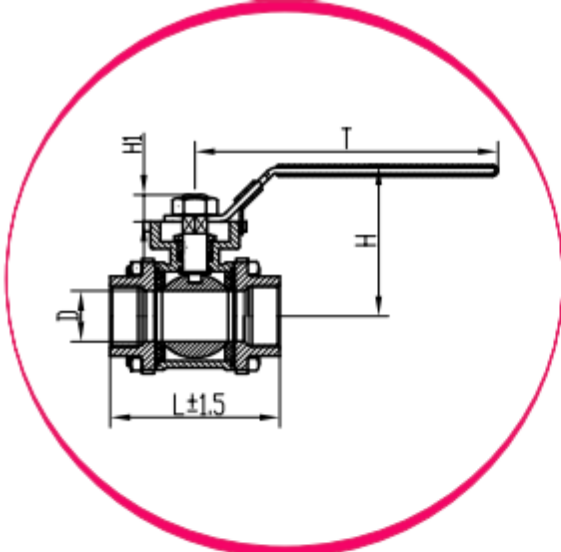


可手柄式



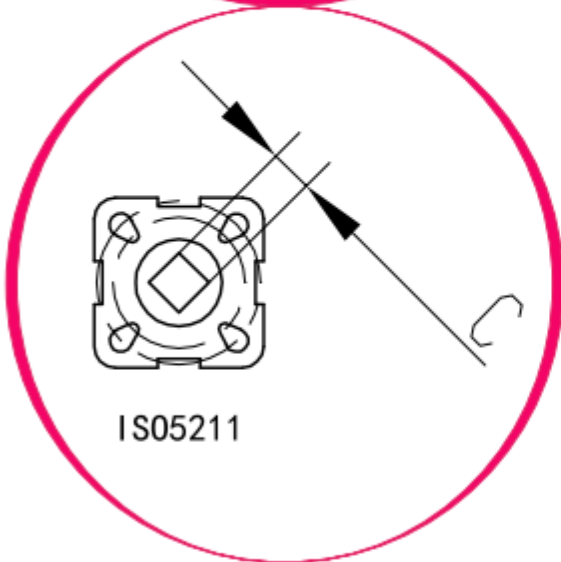
DIN3202-M3

SIZE	DN	D	L±1.5	H	H1	T	C	ISO 5211
1/4"	8	8	65	55	7	131	9	F03/F04
3/8"	10	10	65	55	7	131	9	F03/F04
1/2"	15	15	75	58	9	131	9	F03/F04
3/4"	20	20	80	68	14	131	9	F03/F04
1"	25	25	90	70	13.5	167	11	F04/F05
1 1/4"	32	32	110	75	13.4	163	11	F04/F05
1 1/2"	40	40	120	91	20	193	14	F05/F07
2"	50	50	140	96	20	193	14	F05/F07
2 1/2"	65	65	185	125	22	242	17	F07/F10
3"	80	80	205	148	20	272	17	F07/F10
4"	100	100	240	169	23	295	17	F07/F10



GB /JIS/CLASS

SIZE	DN	D	L±1.5	H	H1	T	C	ISO 5211
1/4"	8	8	66	55	7	131	9	F03/F04
3/8"	10	10	66	55	7	131	9	F03/F04
1/2"	15	15	65	58	9	131	9	F03/F04
3/4"	20	20	73	68	14	131	9	F03/F04
1"	25	25	84	70	13.5	167	11	F04/F05
1 1/4"	32	32	98	75	13.4	163	11	F04/F05
1 1/2"	40	40	109	91	20	193	14	F05/F07
2"	50	50	126	96	20	193	14	F05/F07
2 1/2"	65	65	185	125	22	242	17	F07/F10
3"	80	80	205	148	20	272	17	F07/F10
4"	100	100	242	169	23	295	17	F07/F10



ISO5211



可齿轮箱式



可电动式

# 三片式承插焊接球阀

## THREE-PIECE SOCKET WELD BALL VALVE

奔日阀门 擅长化工行业

— 出口欧美16年 —

### 标准 / STANDARD

标准: GB/CLASS/JIS/DIN

公称通径: 1/4"-4"

公称压力: PN16-25/1000WOG/10K

适用温度: -29°C~180°C

适用介质: 水、油、气、酸碱类

Standard: GB/CLASS/JIS/DIN

Nominal diameter: 1/4"-4"

Nominal pressure: PN16-25/1000WOG/10K

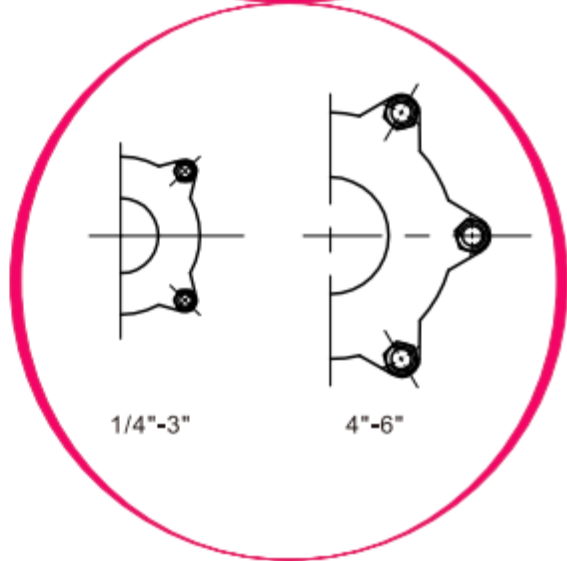
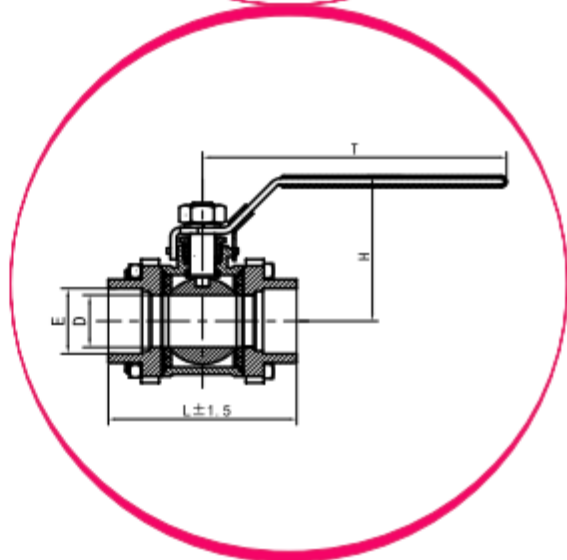
Applicable temperature: -29°C~180°C

Applicable media: Water, Oil, Gas, and So On



### GB PN16

SIZE	DN	D	E	L±1.5	H	T
1/4"	8	10	13.7	55	53	98
3/8"	10	10	17	60	54	98
1/2"	15	14	21	66	55	105
3/4"	20	19	26.5	73	61	112
1"	25	24	33	82	67.5	128
1 1/4"	32	32	38	100	75	143
1 1/2"	40	37	48	110	87	160
2"	50	47	60	123	95	170
2 1/2"	65	63	76	157	139	202
3"	80	78	91.4	282	140	235
4"	100	95	114	219	170	290



可气动式



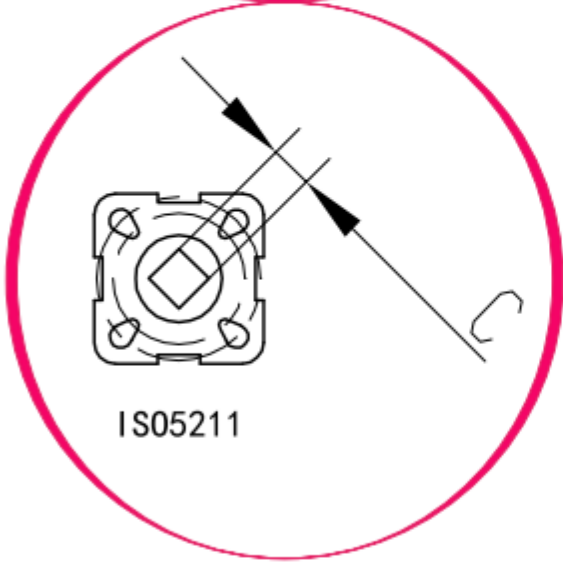
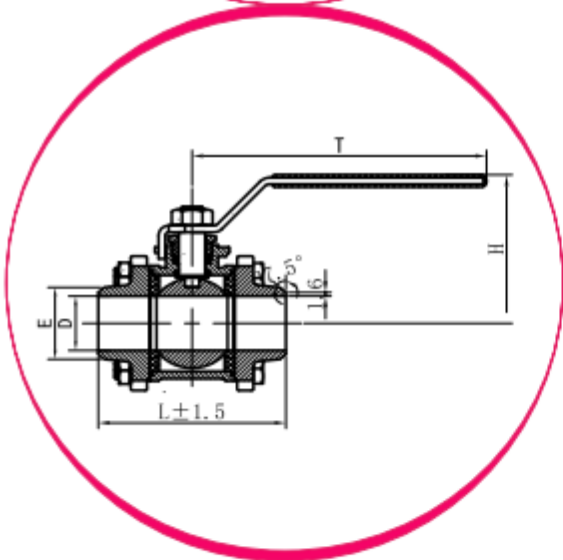
可手柄式

# 三片式对焊球阀

THREE-PIECE BUTT WELD BALL VALVE

奔日阀门 擅长化工行业

— 出口欧美16年 —



## 材料表/MATERIAL LIST

序号	零件名称 PART	材质 MATERIALS
1	阀体 BODY	CWB/CF8/CF8M
2	球体 BALL	S304/S316
3	螺栓 BOLT	S201/S304
4	螺母 NUT	S201/S304
5	填料 PACKING	RPTFE/PCTFE
6	阀杆 STEM	SS304/SS316
7	压盖 GLAND	S201/S304
8	螺母 NUT	S201/S304
9	阀盖 CAP	CF8 CF8M
10	阀座 SEAT	RPTFE/PCTFE
11	止推垫圈 THRUST WASHER	RPTFE/PCTFE
12	手柄 HANDLE	S201/S304
13	手柄套 HANDLE COVER	PVC
14	锁 LOCK	S201/S304

## GB PN16

SIZE	DN	D	E	L±1.5	H	T
1/4"	8	10	13.7	62	53	98
3/8"	10	10	17	63	54	98
1/2"	15	14	21	65	55	105
3/4"	20	19	26.5	77	61	112
1"	25	24	33	85	67.5	128
1 1/4"	32	32	38	103	75	143
1 1/2"	40	37	48	114	87	160
2"	50	47	60	135	95	170
2 1/2"	65	63	76	180	139	202
3"	80	78	91.4	200	140	235
4"	100	95	114	247	170	290



可齿轮箱式



可电动式

#### 标准/STANDARD

螺纹标准: BSPT/PT/BSP/NPT/ISO-228

公称通径: 1/4"-2"

公称压力: PN40-140/1000WOG/3000WOG

适用温度: -29°C~180°C

通用介质: 水、油、气、酸碱类

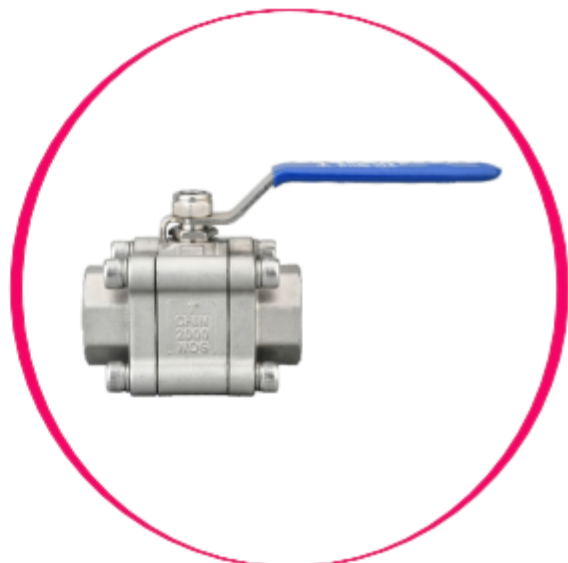
Thread standard: BSPT/PT/BSP/NPT/ISO-228

Nominal diameter: 1/4"-2"

Nominal pressure: PN40-140/1000WOG/3000WOG

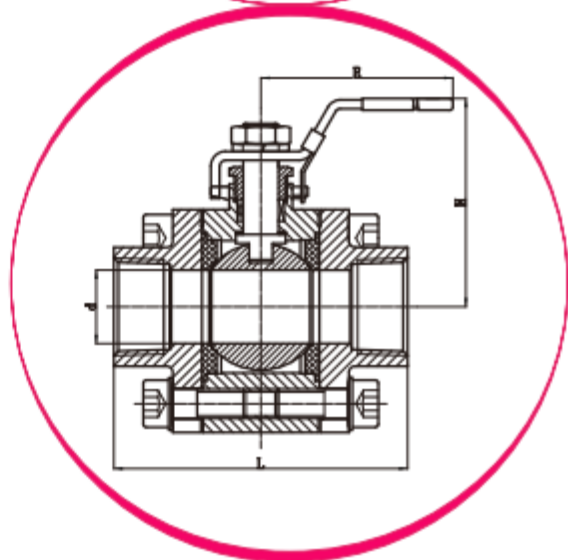
Applicable temperature: -29°C~180°C

Applicable media: Water, Oil, Gas, and So On

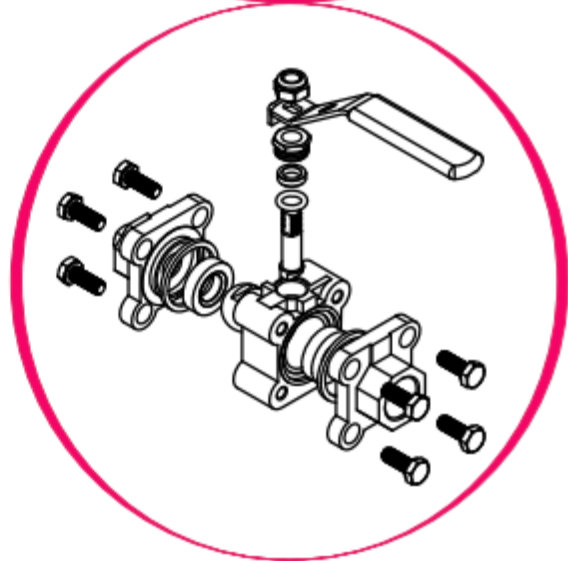


#### 材料表/MATERIAL LIST

序号	零件名称 PART	材质 MATERIALS	数量 QTY
1	阀体 BODY	WCB/CF8/CF8M	1
2	球体 BALL	S304/S316	1
3	螺栓 BOLT	S201/S304	4-6
4	填料 PACKING	PTFE/RPTFE	1
5	阀杆 STEM	S304/S316	1
6	压盖 GLAND	S201/S304	1
7	弹垫 SPRING WASHER	S201/S304	1
8	螺母 NUT	S201/S304	1
9	阀盖 CAP	WCB/CF8/CF8M	2
10	阀座 SEAT	PTFE/RPTFE	2
11	止推垫圈 THRUST WASHER	PTFE/RPTFE	1
12	手柄 HANDLE	S201/S304	1
13	手柄套 HANDLE COVER	PVC	1



SIZE	d	L	H	A
1/4"	8	66	42	100
3/8"	10	66	42	100
1/2"	12	66	42	100
3/4"	15	70	58	120
1"	20	96	61	125
1 1/4"	25	108	64	145
1 1/2"	32	118	75	165
2"	38	128	85	180



可气动式



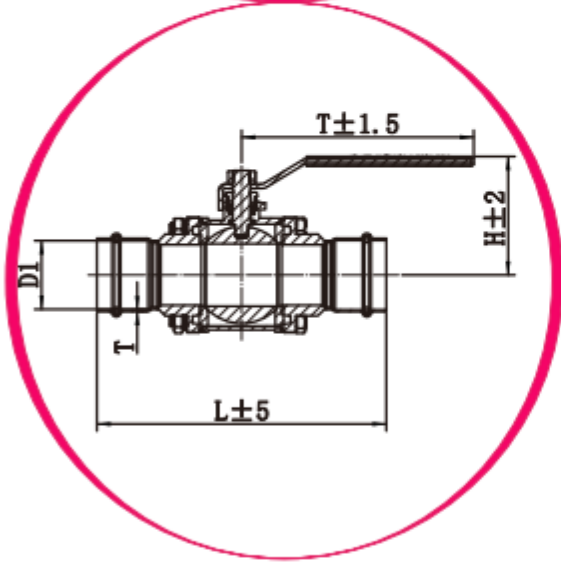
可手柄式

# 三片式卡压球阀

THREE-PIECE PRESS FIT BALL VALVE

奔日阀门 擅长化工行业

— 出口欧美16年 —



## 标准/STANDARD

标准: I系、II系、欧标

公称口径: 1/2"-4"

公称压力: pn16-40

适用温度: -29°C~180°C

通用介质: 水、油、气、酸碱类

Standard: I Series, II Series, European Standard

Nominal Diameter: 1/4"-2"

Nominal Pressure: Pn16-40

Applicable Temperature: -29°C~180°C

Applicable media: Water, Oil, Gas, and So On

## 材料表/MATERIAL LIST

序号	零件名称 PART	材质 MATERIALS
1	阀体 BODY	WCB/CF8/CF8M
2	阀盖 CAP	WCB/CF8/CF8M
3	球体 BALL	SS304/SS316
4	阀座 SEAT	PTFE/RPTFE
5	阀杆 STEM	SS304/SS316
6	止推垫圈 THRUST WASHER	PTFE/RPTFE
7	填料 PACKING	PTFE/RPTFE
8	压盖 GLAND	SS201/SS304
9	带锁手柄 HANDLE	SS201/SS304
10	螺母 NUT	SS201/SS304
11	螺栓 BOLT	SS201/SS304
12	弹垫 SPRING WASHER	SS201/SS304
13	螺母 NUT	SS201/SS304
14	O型圈 O-rings	EPDM/HNBR/FKM

### I Series

SIZE	D1	D2	L±3	H	T
15	16	1.5	117.5	53.5	98
18	18	1.5	122.5	66.5	105.5
22	22	1.5	134.5	65.5	112
28	28	1.5	145	70	129
35	35	1.5	172	80	140.5
42	42	1.5	200.5	88	160.5
54	54	1.5	263	98.5	190

### European Standard

SIZE	D1	T	L±3	H	T
15	16	1.5	115	53.5	98
18	18	1.5	115	66.5	105.5
22	22	1.5	131	65.5	112
28	28	1.5	142.5	70	129
35	35	1.5	169	80	140.5
42	42	1.5	186.5	88	160.5
54	54	1.5	223.5	98.5	190

## THREE-PIECE SANITARY WELD BALL VALVE

### 标准 / STANDARD

标准: GB/CLASS/JIS/DIN

公称口径: 1/4"-6"

公称压力: PN16-25/1000WOG/10K

适用温度: -29°C~180°C

适用介质: 水、油、气、酸碱类

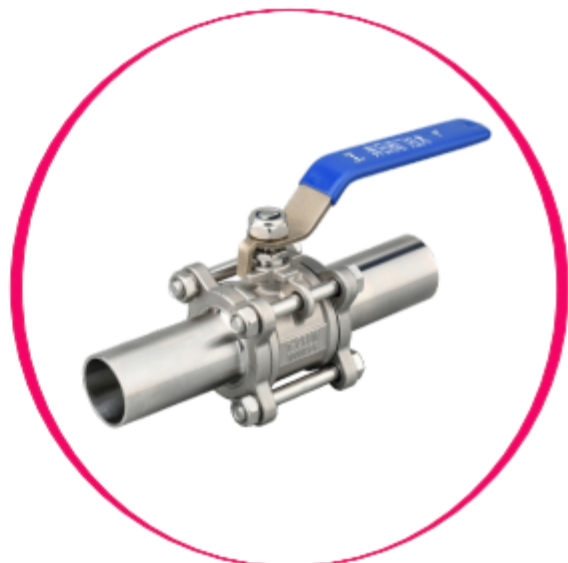
Standard: GB/CLASS/JIS/DIN

Nominal diameter: 1/4"-6"

Nominal pressure: PN16-25/1000WOG/10K

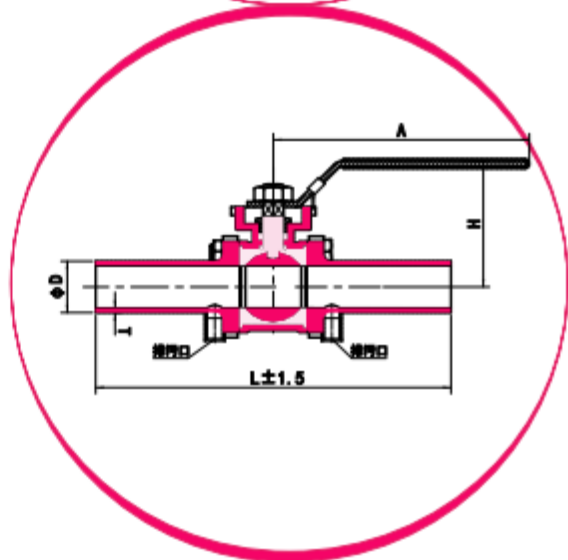
Applicable temperature: -29°C~180°C

Applicable media: Water, Oil, Gas, and So On



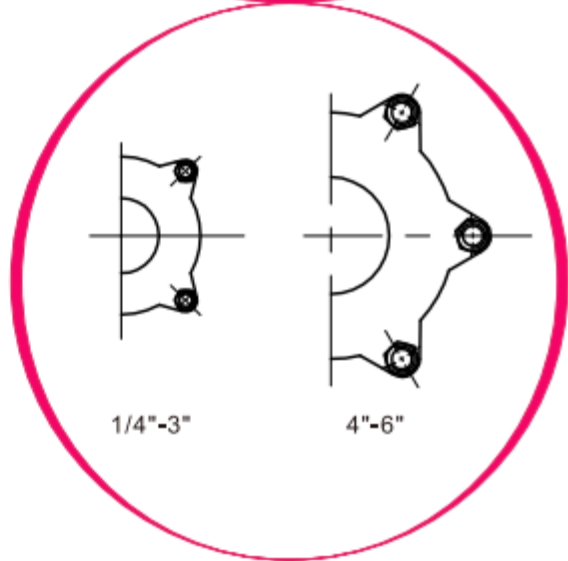
### 3A

SIZE	DN	D	T	L±1.5	B	W	H
1/2"	15	12.7	1.65	141	50	110	22
3/4"	20	19.1	1.65	147	50	110	27
1"	25	25.4	1.65	154	50	130	33.5
1 1/4"	32	31.8	1.65	163	50	142	42
1 1/2"	40	38.1	1.65	170	50	162	48.5
2"	50	50.8	1.65	184	50	170	59.5
2 1/2"	65	63.5	1.65	208	50	210	76
3"	80	76.2	1.65	221	50	223	89
4"	100	101.6	2	254	50	290	115



### JIS

SIZE	DN	D	T	L±1.5	B	W	H
1"	25	25.4	1.2	154	50	130	33.5
1 1/4"	32	31.8	1.2	163	50	142	42
1 1/2"	40	38.1	1.2	170	50	162	48.5
2"	50	50.8	1.5	184	50	170	59.5
2 1/2"	65	63.5	2.0	208	50	210	76
3"	80	76.3	2.0	221	50	223	89
4"	100	101.6	2	254	50	290	115

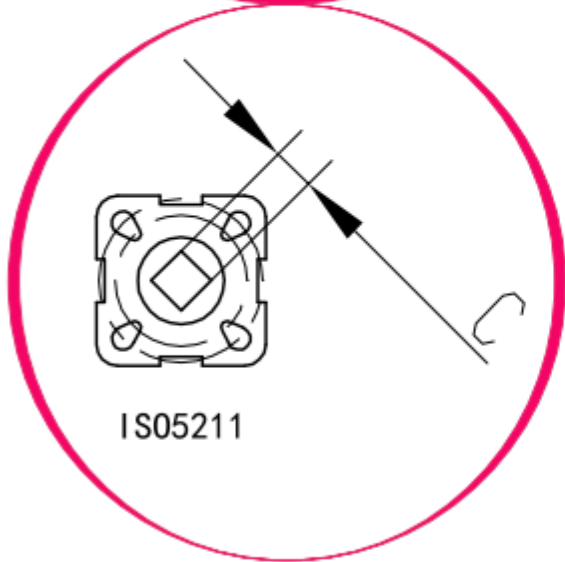
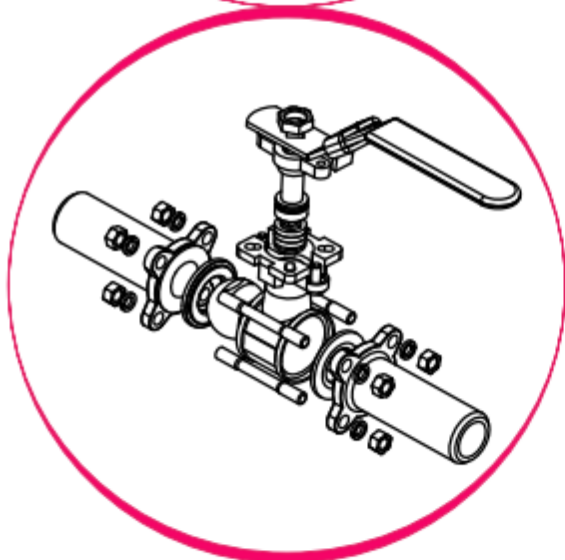


# 三片式加长对焊球阀

THREE-PIECE EXTENDED BUTT WELD BALL VALVE

奔日阀门 擅长化工行业

— 出口欧美16年 —



## 材料表/MATERIAL LIST

序号	零件名称 PART	材质 MATERIALS
1	阀体 BODY	CF8/CF3M
2	球体 BALL	304/316L
3	螺栓 BOLT	F304
4	螺母 NUT	F304
5	填料 PACKING	RPTFE/PTFE
6	阀杆 STEM	F304/F316
7	压盖 GLAND	S304
8	螺母 NUT	S304
9	阀盖 CAP	CF8/CF3M
10	阀座 SEAT	RPTFE/PTFE
11	止推垫圈 THRUST WASHER	RPTFE/PTFE
12	手柄 HANDLE	S304
13	手柄套 HANDLE COVER	PVC
14	锁 LOCK	S304

## GB PN16

SIZE	DN	D	T	Lx1.5	B	W	H
3/8"	10	17.2	1.8	238	100	110	17
1/2"	15	21.3	2	241	100	110	22
3/4"	20	26.9	2.3	247	100	110	27
1"	25	33.7	2.6	254	100	130	33.5
1 1/4"	32	42.4	2.6	263	100	142	42
1 1/2"	40	48.3	2.6	270	100	162	48.5
2"	50	60.3	2.9	284	100	170	59.5
2 1/2"	65	76.1	2.9	308	100	210	76
3"	80	88.9	3.2	321	100	223	89
4"	100	114.3	3.6	354	100	290	115



可齿轮箱式



可电动式

# 三片式真空KF快装球阀

奔日阀门 擅长化工行业

— 出口欧美16年 —

## THREE-PIECE VACUUM KF QUICK FIT BALL VALVE

### 标准 / STANDARD

标准: GB/CLASS/JIS/DIN

公称通径: 1/2"-4"

公称压力: -0.2M.pa

适用温度: -29°C~180°C

通用介质: 水、油、气、酸碱类

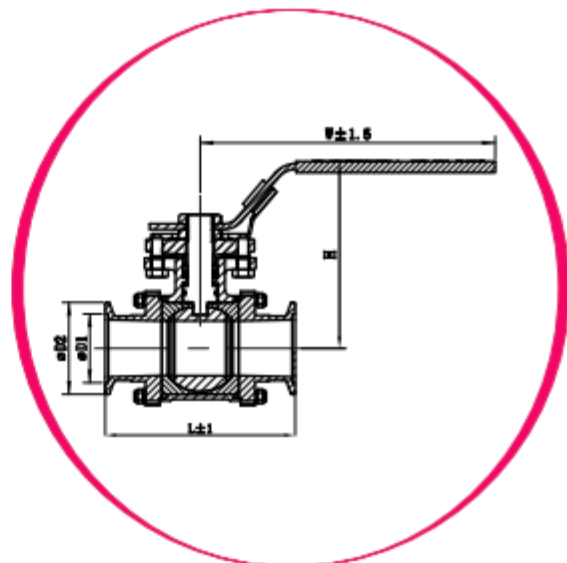
Standard: GB/CLASS/JIS/DIN

Nominal diameter: 1/2"-4"

Nominal pressure: -0.2M.pa

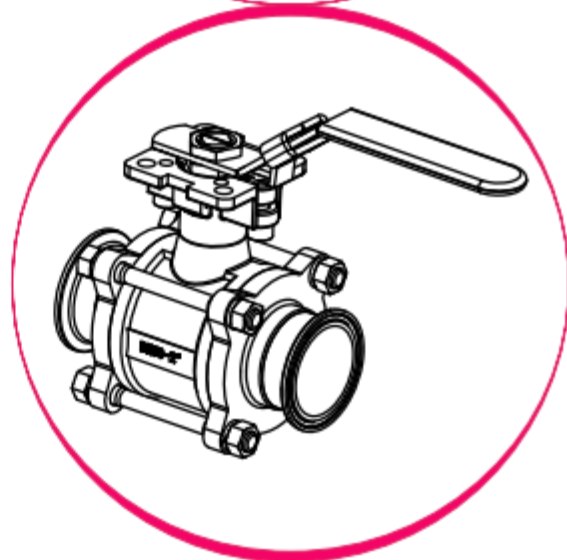
Applicable temperature: -29°C~180°C

Applicable media: Water, Oil, Gas, and So On



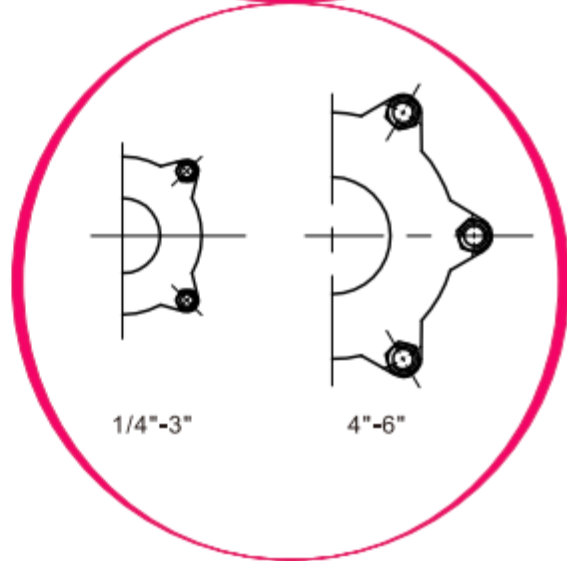
### KF-SMS

SIZE	DN	D1	D2	L±1.5	H	W	C
KF16	15	17.2	30	98.5	58.5	130	9
KF25	20	26.2	40	100	74.5	130	9
KF38	32	41.2	55	123	73	181	11
KF50	50	52.2	75	146	124	193	14
KF63	65	70.2	87	180	144	244	17
KF80	80	83	114	199	144	263	17
KF100	100	102	134	245	170	285	17



### KF-JIS

SIZE	DN	D1	D2	L±1.5	H	W	C
KF16	15	17.2	30	98.5	58.5	130	9
KF25	20	26.2	40	100	74.5	130	9
KF38	32	41.2	55	123	73	181	11
KF50	50	52.2	75	146	124	193	14
KF63	65	70.2	87	180	144	244	17
KF80	80	83	114	199	144	263	17
KF100	100	102	134	245	170	285	17



可气动式



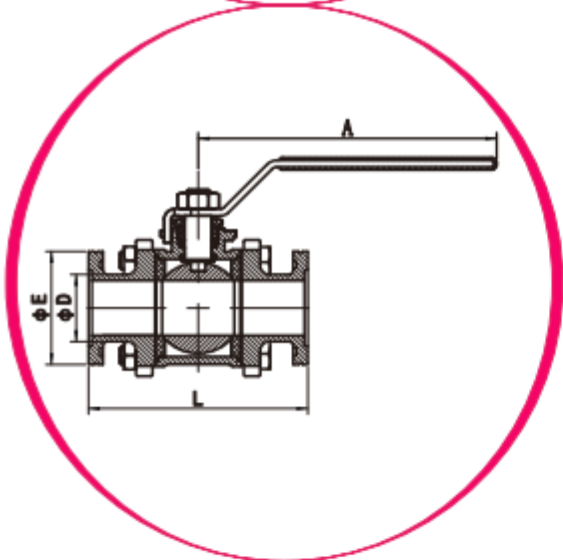
可手柄式

# 三片式真空法兰球阀

## THREE-PIECE VACUUM FLANGED BALL VALVE

奔日阀门 擅长化工行业

— 出口欧美16年 —



### 材料表/MATERIAL LIST

序号	零件名称 PART	材质 MATERIALS	数量 QTY
1	阀体 BODY	WCB/CF8/CF8M	1
2	球体 BALL	S304/S316	1
3	螺栓 BOLT	S201/S304	4-6
4	螺母 NUT	S201/S304	4-12
5	填料 PACKING	PTFE/RPTFE	1
6	阀杆 STEM	S304/S316	1
7	压盖 GLAND	S201/S304	1
8	螺母 NUT	S201/S304	1
9	阀盖 CAP	WCB/CF8/CF8	2
10	阀座 SEAT	MPTFE/RPTFE	2
11	止推垫圈 THRUST WASHER	PTFE/RPTFE	1
12	手柄 HANDLE	S201/S304	1
13	手柄套 HANDLE COVER	PVC	1
14	锁 LOCK	S201/S304	1

SIZE	DN	D	E	L±1.5	A
2"	50	63.5	95	135	171
2½"	65	76.2	110	180	209
3"	80	101.6	130	200	226
5"	125	152.4	180	400	495
6"	150	203.2	240	355	495



可齿轮箱式



可电动式

#### 标准/STANDARD

标准: 3A/SMS/ISO/DIN

公称通径: 1/2"-6"

公称压力: PN16/1000WOG/10K

适用温度: -29°C~180°C

通用介质: 水、油、气、酸碱类

Standard: 3A/SMS/ISO/DIN

Nominal diameter: 1/2"-6"

Nominal pressure: PN16/1000WOG/10K

Applicable temperature: -29°C~180°C

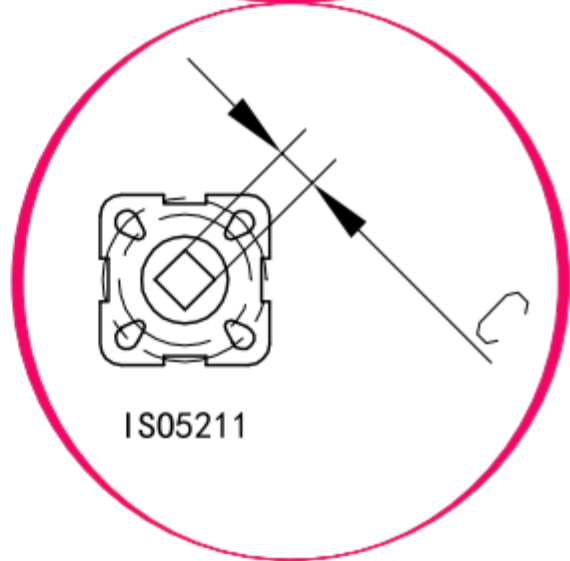
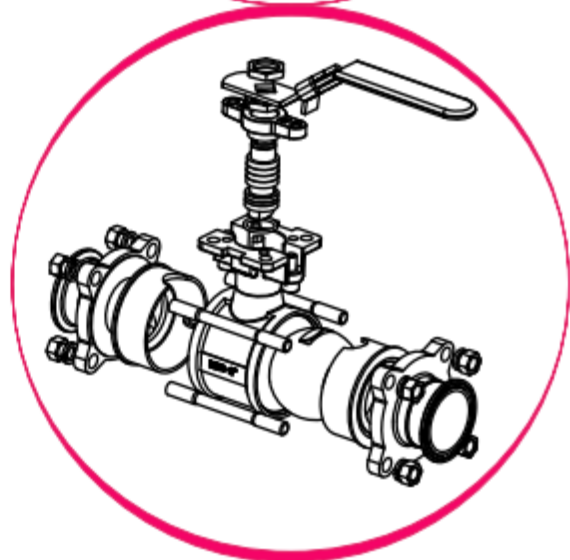
Applicable media: Water, Oil, Gas, and So On

#### 材料表/MATERIAL LIST

序号	零件名称 PART	材质 MATERIALS
1	阀体 BODY	CF8/CF3M
2	球体 BALL	304/316L
3	螺栓 BOLT	F304
4	螺母 NUT	F304
5	填料 PACKING	RPTFE/PTFE
6	阀杆 STEM	F304/F316
7	压盖 GLAND	S304
8	螺母 NUT	S304
9	阀盖 CAP	CF8/CF3M
10	阀座 SEAT	RPTFE/PTFE
11	止推垫圈 THRUST WASHER	RPTFE/PTFE
12	手柄 HANDLE	S304
13	手柄套 HANDLE COVER	PVC
14	锁 LOCK	S304

#### 3A

SIZE	DN	D1	D2	L±1.5	H	W	C
1/2"	15	9.4	25.2	98.5	58.5	130	9
3/4"	20	15.8	50.5	100	74.5	130	9
1"	25	22.1	50.5	109.5	70	167	11
1 1/4"	32	28.5	50.5	123	73	181	11
1 1/2"	40	34.8	50.5	141.5	78.4	193	11
2"	50	47.6	64	146	124	193	14
2 1/2"	65	60.2	77.5	180	144	244	17
3"	80	72.9	91	199	144	263	17
4"	100	97.4	119	245	170	285	17



可气动式

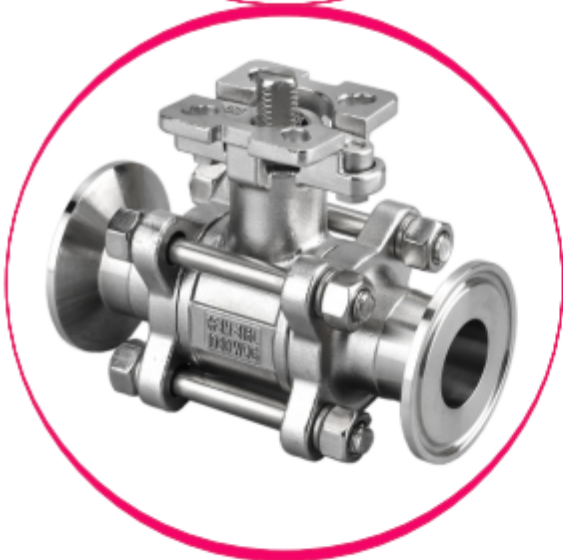


可手柄式



### DIN

SIZE	DN	D1	D2	L±1.5	H	W	C
1/2"	15	15	34	98.5	58.5	130	9
3/4"	20	19	34	100	74.5	130	9
1"	25	25	50.5	109.5	70	167	11
1 1/4"	32	31	50.5	123	73	181	11
1 1/2"	40	37	50.5	141.5	78.4	193	11
2"	50	49	64	146	124	193	14
2 1/2"	65	66	91	180	144	244	17
3"	80	81	106	199	144	263	17
4"	100	100	119	245	170	285	17



### ISO

SIZE	DN	D1	D2	L±1.5	H	W	C
1/2"	15	18.1	34	98.5	58.5	130	9
3/4"	20	23.7	50.5	100	74.5	130	9
1"	25	29.7	50.5	109.5	70	167	11
1 1/4"	32	38.4	50.5	123	73	181	11
1 1/2"	40	44.3	64	141.5	78.4	193	11
2"	50	56.3	77.5	146	124	193	14
2 1/2"	65	71.5	91	180	144	244	17
3"	80	84.3	106	199	144	263	17
4"	100	97.6	119	245	170	285	17



### SMS

SIZE	D1	D2	L±1.5	H	W	C
12.7	9.7	25.2	98.5	58.5	130	9
19	16.1	50.5	100	74.5	130	9
25	22.4	50.5	109.5	70	167	11
32	29.5	50.5	123	73	181	11
38	35.6	50.5	141.5	78.4	193	11
51	48.3	64	146	124	193	14
63.5	60.5	77.5	180	144	244	17
76	72.2	91	199	144	263	17
102	101.6	119	245	170	285	17

## 标准/STANDARD

螺纹标准: BSPT/PT/BSP/NPT/ISO-228

公称通径: 1/4"-2"

公称压力: PN16-160/1000WOG/2000WOG

适用温度: -46°C~290°C

通用介质: 水、油、气、酸碱类

Thread standard: BSPT/PT/BSP/NPT/ISO-228

Nominal diameter: 1/4"-2"

Nominal pressure: PN16-160/1000WOG/2000WOG

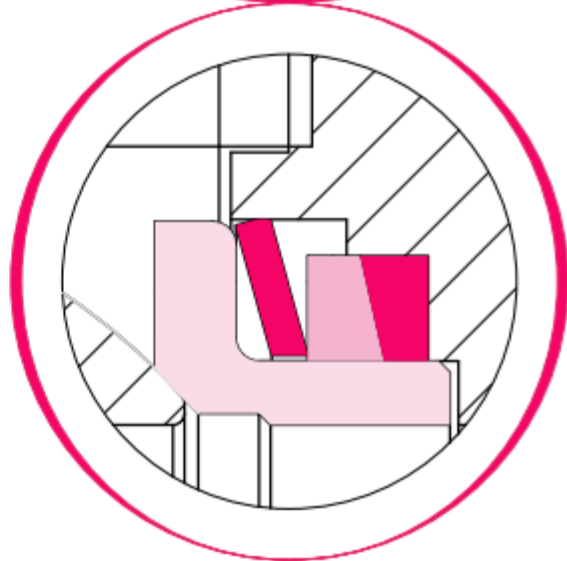
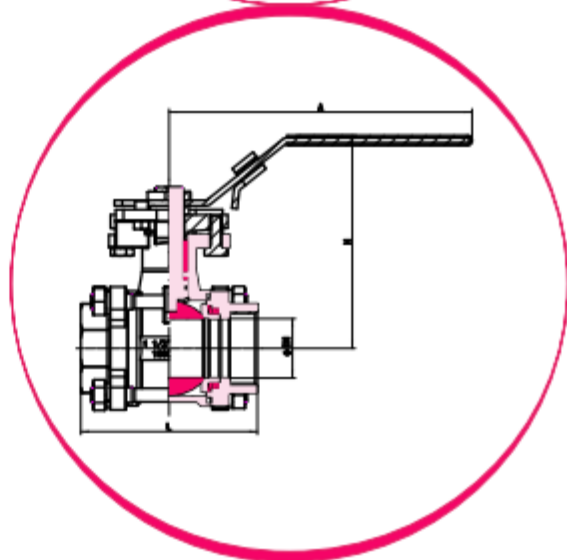
Applicable temperature: -46°C~290°C

Applicable media: Water, Oil, Gas, and So On



## 材料表/MATERIAL LIST

序号	零件名称 PART	材质 MATERIALS	数量 QTY
1	阀体 BODY	WCB/CF8/CF8M	1
2	球体 BALL	SS304/SS316	1
3	阀座 SEAT	SS304/SS316	2
4	线条 GASKET	CF/PTFE/RPTFE	2
5	O型圈 O-RINGS	FKM/NBR	2
6	阀盖 CAP	WCB/CF8/CF8M	2
7	弹垫 SPRING WASHERS	SS201/SS304	4
8	螺母 NUT	SS201/SS304	4
9	螺栓 BOLT	SS201/SS304	4
10	阀杆 STEM	SS304/SS316	1
11	止推垫圈 THRUST WASHER	CF/PTFE/RPTFE	1
12	O型圈 O-RINGS	FKM/NBR	1
13	填料 PACKING	CF/PTFE/RPTFE	1-4
14	压盖 GLAND	SS201/SS304	1
15	带锁手柄 HANDLE	SS201/SS304	1
16	弹垫 SPRING WASHER	SS201/SS304	1
17	螺母 NUT	SS201/SS304	1
18	护套 SHEATH	PVC	1



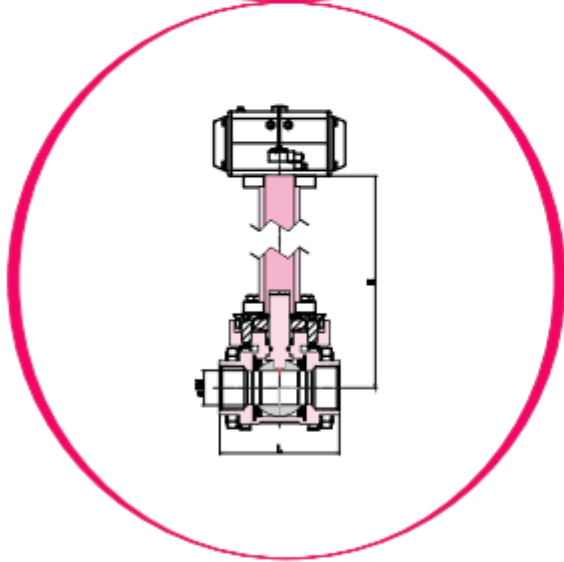
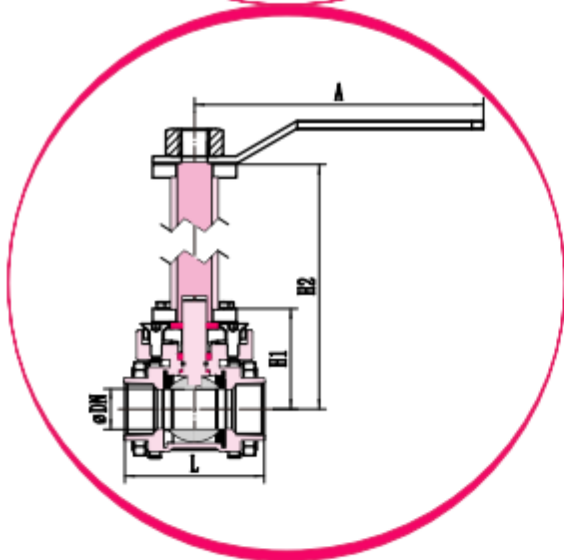
SIZE	DN	L±1.5	H	A
1/4"	8	63.5	54	98
3/8"	10	66.5	54	98
1/2"	15	73	62	102
3/4"	20	78.5	67	108
1"	25	89	72	124
1 1/4"	32	102	83	139
1 1/2"	40	112	97	158
2"	50	135	102	169

# 三片式超低温球阀

THREE-PIECE CRYOGENIC BALL VALVE

奔日阀门 擅长化工行业

— 出口欧美16年 —



## 标准/STANDARD

标准: I系、II系、欧标

公称口径: 1/2"-4"

公称压力: pn16-40

适用温度: -29°C~180°C

通用介质: 水、油、气、酸碱类

Standard: I Series, II Series, European Standard

Nominal Diameter: 1/4"-2"

Nominal Pressure: Pn16-40

Applicable Temperature: -29°C~180°C

Applicable media: Water, Oil, Gas, and So On

## 材料表/MATERIAL LIST

序号	零件名称 PART	材质 MATERIALS	数量 QTY
1	阀体 BODY	CF8/CF8M	1
2	球体 BALL	S304/S316	1
3	螺栓 BOLT	S201/S304	4-6
4	螺母 NUT	S201/S304	4-12
5	填料 PACKING	PTFE/RPTFE	1
6	阀杆 STEM	S5304/S5316	1
7	压盖 GLAND	S201 /S304	1
8	螺母 NUT	S201 /S304	1
9	阀盖 CAP	CF8/CF8M	2
10	阀座 SEAT	PTFE/RPTFE	1
11	止推垫圈 THRUST WASHER	PTFE/RPTFE	1
12	手柄 HANDLE	S201/S304	1
13	手柄套 HANDLE COVER	PVC	1
14	锁 LOCK	S201/S304	1
15	加长轴 EXTENDED SHAFT	S304/S316	1
16	加长平台 EXTENDED PLATFORM	S304/S316	1

## I Series

SIZE	DN	L±1.5	H1	H2	A	C	ISO5211
1/2"	15	62.5	51	251	130	9	F03/F04
3/4"	20	64.5	51	251	130	9	F03/F04
1"	25	69.5	55.5	255.5	167	11	F04/F05
1 1/4"	32	79.5	68	268	181	11	F04/F05
1 1/2"	40	107.5	90	290	193	14	F05/F07
2"	50	121.5	98	298	193	14	F05/F07
2 1/2"	65	182.5	128	328	244	17	F07/F10
3"	80	201	137.5	337.5	263	17	F07/F10
4"	100	274	150.5	350.5	285	17	F07/F10

### 标准/STANDARD

螺纹标准: BSP/BSPT/PT/NPT/ISO-228

公称通径: 1/4"-4"

公称压力: PN16-40/1000WOG/10K

适用温度: -29°C~180°C

通用介质: 水、油、气、酸碱类

Thread standard: BSP/BSPT/PT/NPT/ISO-228

Nominal diameter: 1/4"-4"

Nominal pressure: PN16-40/1000WOG/10K

Applicable temperature: -29°C~180°C

Applicable media: Water, Oil, Gas, and So On



### 特点/Features

公称通径Nominal diameter: 1/4"~4" (DN8~DN100)

工作压力 W.P.: PN16/1000WOG/10K

工作温度 W.T.: -29°C~180°C

精密铸造 Investment casting

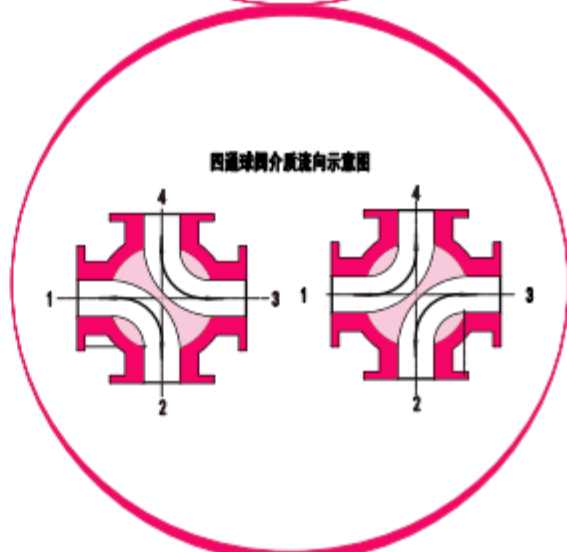
阀杆防爆出装置设计 Blow-out proof stem

防静电装置 (可选) Anti-static device (option)

带锁手柄 Locking device handle

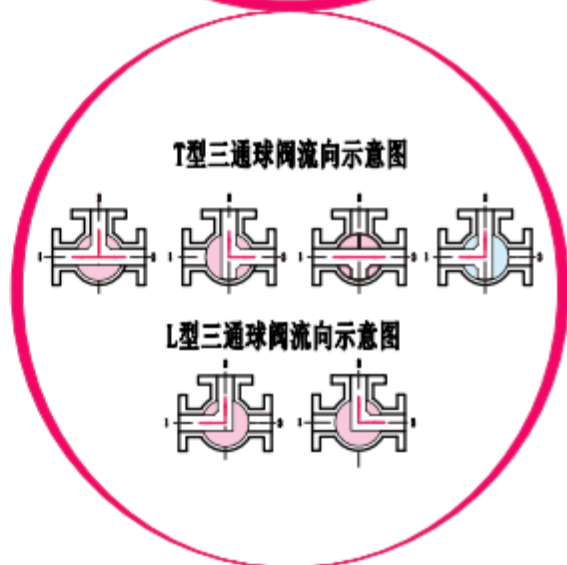
ISO5211直装高平台设计 ISO 5211 direct mounting pad

自动化装置 (可选) Automation Device (option)



### 材料表/MATERIAL LIST

序号	零件名称 PART	材质 MATERIALS
1	阀盖 CAP	WCB CF8 CF8M
2	阀座 SEAT	PTFE RPTFE
3	垫圈 JOINT GASKET	PTFE RPTFE
4	止推垫圈 THRUST WASHER	F304 F316
5	填料 PACKING	PTFE RPTFE
6	阀杆 STEM	F304 F316L
7	压盖 GLAND	F304
8	螺母 NUT	F304
9	球体 BALL	F304 F316L
10	阀体 BODY	WCB CF8 CF8M
11	手柄 HANDLE	SUS304
12	手柄套 HANDLE COVER	PVC
13	锁 LOCK	SUS304

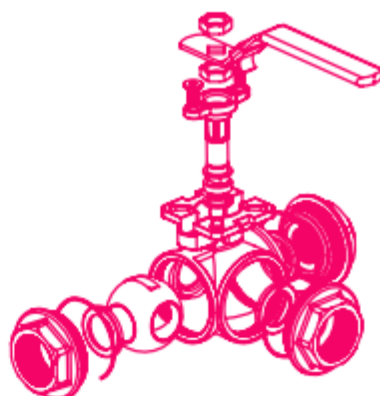
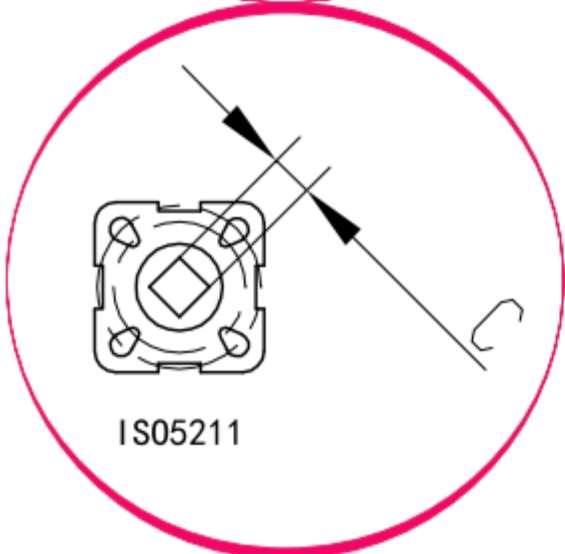
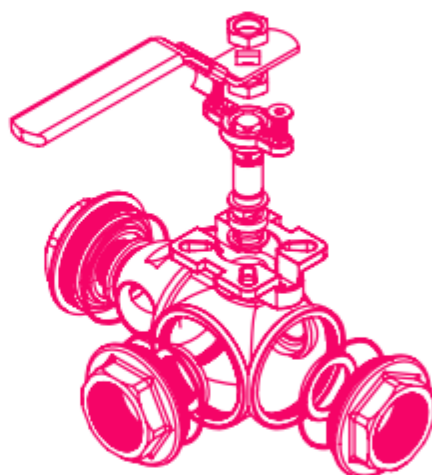
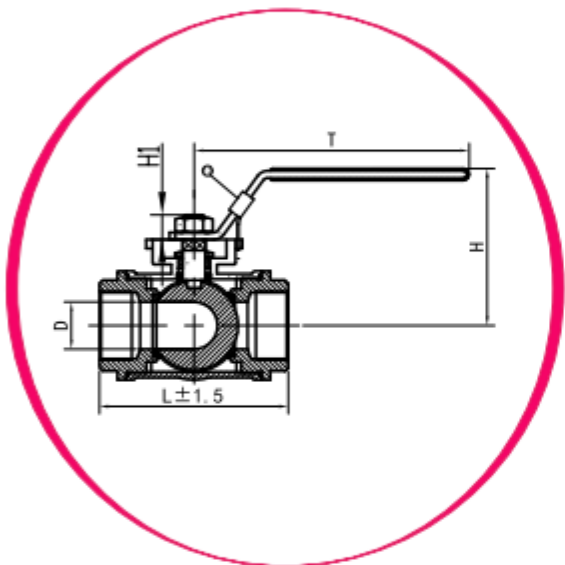


# 多通道内螺纹分配球阀

MULTI-CHANNEL THREADED DISTRIBUTION BALL VALVE

奔日阀门 擅长化工行业

— 出口欧美16年 —



SIZE	DN	D	L±1.5	L1	H1	H	T	C	ISO5211
1/4"	8	8	71	55	13	65	131	9	F03/F04
3/8"	10	10	71	55	13	56	100	9	F03/F04
1/2"	15	12	71	55	13	55	131	9	F03/F04
3/4"	20	15	82	63	10	73	131	9	F03/F04
1"	25	18	98	72	13	78.5	167	11	F04/F05
1 1/4"	32	25	118	92	12	90	167	11	F04/F05
1 1/2"	40	32	122	100	20	115	193	14	F05/F07
2"	50	38	150	119	19	122	193	14	F05/F07
2 1/2"	65	50	178	142	20	138	242	17	F07/F10
3"	80	64	202	163	18	163	150	17	F07/F10
4"	100	78	231	192	25	192	154	17	F07/F10



可齿轮箱式



可电动式



可气动式



可手柄式

## 标准/STANDARD

标准: 3A/DIN/ISO/SMS

公称口径: 1/2"-4"

公称压力: PN16-40/1000WOG/10K

适用温度: -29°C~180°C

通用介质: 水、油、气、酸碱类

Thread standard: 3A/DIN/ISO/SMS

Nominal diameter: 1/2"-4"

Nominal pressure: PN16-40/1000WOG/10K

Applicable temperature: -29°C~180°C

Applicable media: Water, Oil, Gas, and So On

## 特点/Features

公称口径Nominal diameter: 1/2"~4"

工作压力 W.P.: PN16/1000WOG/10K

工作温度 W.T.: -29°C~180°C

精密铸造 Investment casting

阀杆防爆出装置设计 Blow-out proof stem

防静电装置 (可选) Anti-static device(option)

带锁手柄 Locking device handle

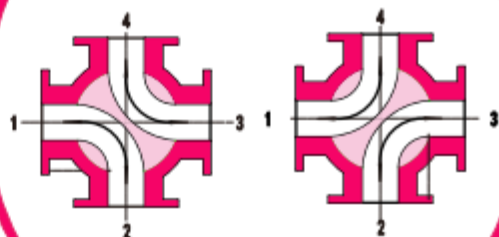
ISO5211直装高平台设计 ISO 5211 Direct mounting pad

自动化装置 (可选) Automation Device (option)

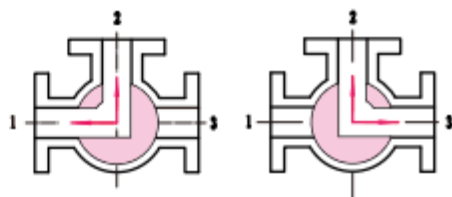
## 材料表/MATERIAL LIST

序号	零件名称 PART	材质 MATERIALS
1	阀盖 CAP	CF8 CF8M
2	阀座 SEAT	PTFE
3	垫圈 JOINT GASKET	PTFE
4	止推垫圈 THRUST WASHER	PTFE
5	填料 PACKING	PTFE
6	阀杆 STEM	304 316
7	压盖 GLAND	201 304
8	螺母 NUT	201 304
9	球体 BALL	304 316
10	阀体 BODY	CF8 CF8M
11	手柄 HANDLE	201 304
12	手柄套 HANDLE COVER	PVC
13	锁 LOCK	201 304

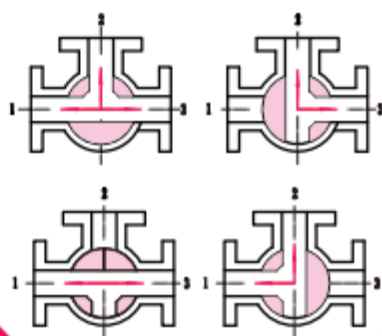
四通球阀介质流向示意图

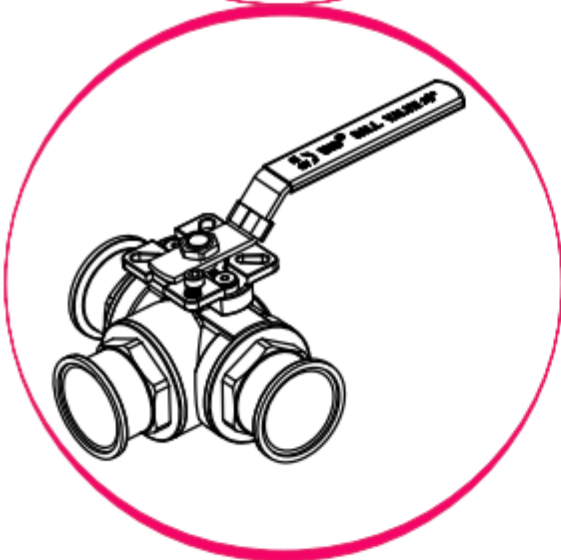
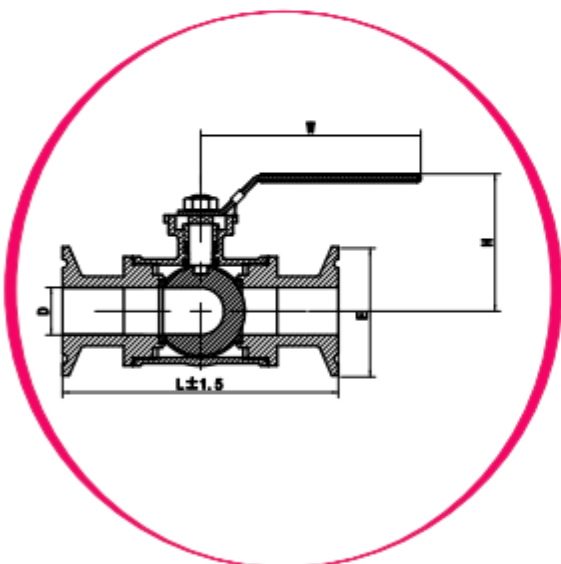


L型三通球阀流向示意图



T型三通球阀流向示意图





### 3A

SIZE	DN	D	L±1.5	E	H	W
3/8"	10	10	97	25.2	65	131
1/2"	15	9.4	97	25.2	65	131
3/4"	20	15.8	107	50.5	73	131
1"	25	22.1	112.5	50.5	79	167
1 1/4"	32	22.6	133	50.5	90	167
1 1/2"	40	28.5	162.5	50.5	115	193
2"	50	34.8	197	50.5	121	193
2 1/2"	65	47.6	227	64	138	242
3"	80	60.2	242	77.5	150	272
4"	100	72.9	279	91	154	295

### DIN

SIZE	DN	D	L±1.5	E	H	W
1/2"	15	9	97	34	65	131
3/4"	20	15	107	34	73	131
1"	25	19	112.5	50.5	79	167
1 1/4"	32	25	133	50.5	90	167
1 1/2"	40	31	162.5	50.5	115	193
2"	50	37	197	50.5	121	193
2 1/2"	65	49	227	64	138	242
3"	80	66	242	91	150	272
4"	100	81	279	106	154	295

### ISO

SIZE	DN	D	L±1.5	E	H	W
1/2"	15	14	97	34	65	131
3/4"	20	18.1	107	34	73	131
1"	25	23.7	112.5	50.5	79	167
1 1/4"	32	30.5	133	50.5	90	167
1 1/2"	40	39.2	162.5	50.5	115	193
2"	50	45.1	197	50.5	121	193
2 1/2"	65	56.3	227	64	138	242
3"	80	72.1	242	91	150	272
4"	100	84.9	279	106	154	295

### SMS

SIZE	DN	D	L±1.5	E	H	W
1/2"	15	9.7	97	34	65	131
3/4"	20	16.1	107	34	73	131
1"	25	22.4	112.5	50.5	79	167
1 1/4"	32	29.5	133	50.5	90	167
1 1/2"	40	35.6	162.5	50.5	115	193
2 1/2"	65	48.3	227	64	138	242
3"	80	60.5	242	91	150	272
4"	100	72.2	279	106	154	295

## 标准 / STANDARD

螺纹标准: BSP/BSPT/PT/NPT/ISO-228

公称通径: 1/4"-4"

公称压力: PN16-40/1000WOG/10K

适用温度: -29°C~180°C

通用介质: 水、油、气、酸碱类

Thread standard: BSP/BSPT/PT/NPT/ISO-228

Nominal diameter: 1/4"-4"

Nominal pressure: PN16-40/1000WOG/10K

Applicable temperature: -29°C~180°C

Applicable media: Water, Oil, Gas, and So On

## 特点 / Features

公称通径Nominal diameter: 1/4" ~ 4" (DN8 ~ DN100)

工作压力 W.P.: PN16/1000WOG/10K

工作温度 W.T.: -29°C~180°C

精密铸造 Investment casting

阀杆防爆出装置设计 Blow-out proof stem

防静电装置 (可选) Anti-static device (option)

带锁手柄 Locking device handle

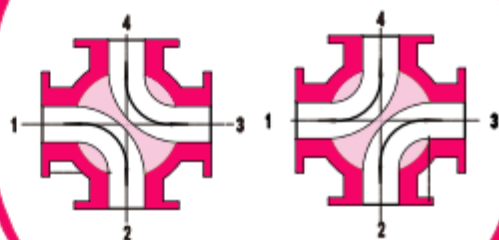
ISO5211直装高平台设计 ISO 5211 Direct mounting pad

自动化装置 (可选) Automation Device (option)

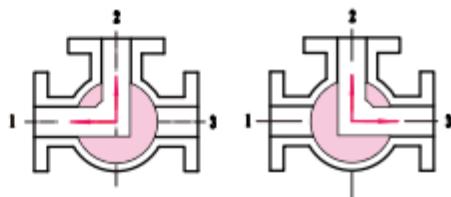
## 材料表 / MATERIAL LIST

序号	零件名称 PART	材质 MATERIALS
1	阀盖 CAP	CF8 CF8M
2	阀座 SEAT	PTFE
3	垫圈 JOINT GASKET	PTFE
4	止推垫圈 THRUST WASHER	PTFE
5	填料 PACKING	PTFE
6	阀杆 STEM	304 316
7	压盖 GLAND	201 314
8	螺母 NUT	201 304
9	球体 BALL	304 316
10	阀体 BODY	CF8 CF8M
11	手柄 HANDLE	201 304
12	手柄套 HANDLE COVER	PVC
13	锁 LOCK	201 304

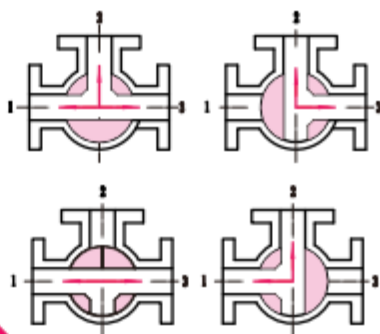
四通球阀介质流向示意图



L型三通球阀流向示意图



T型三通球阀流向示意图

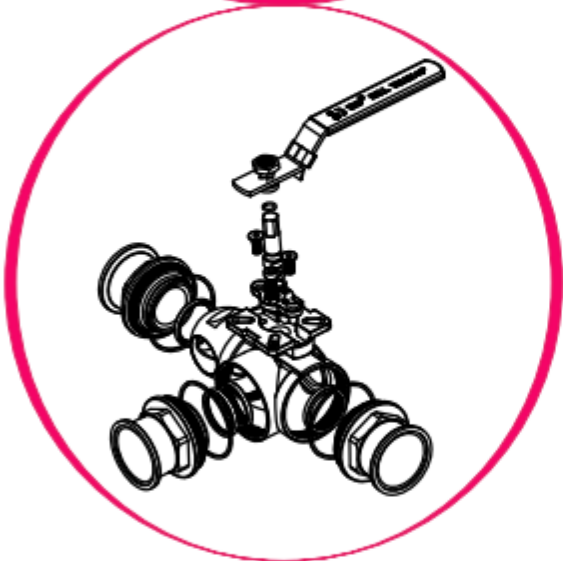
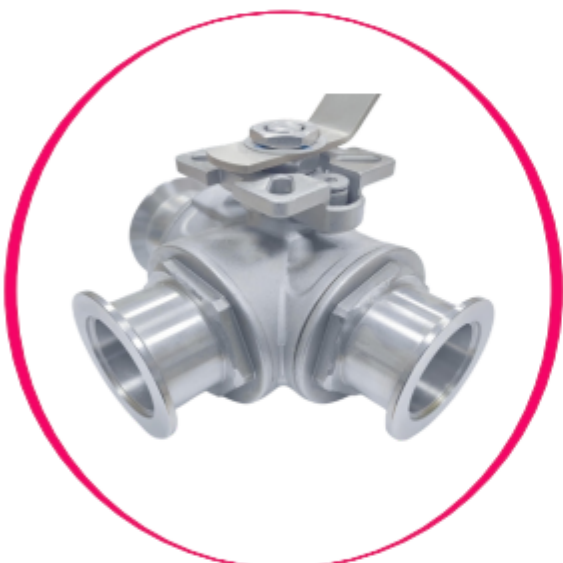


# 多通道真空分配球阀

MULTI-CHANNEL VACUUM DISTRIBUTION BALL VALVE

奔日阀门 擅长化工行业

— 出口欧美16年 —



可齿轮箱式



可电动式



可气动式



可手柄式

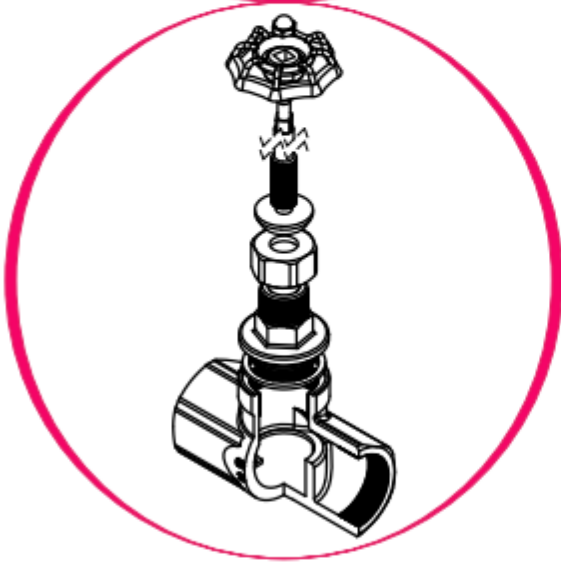
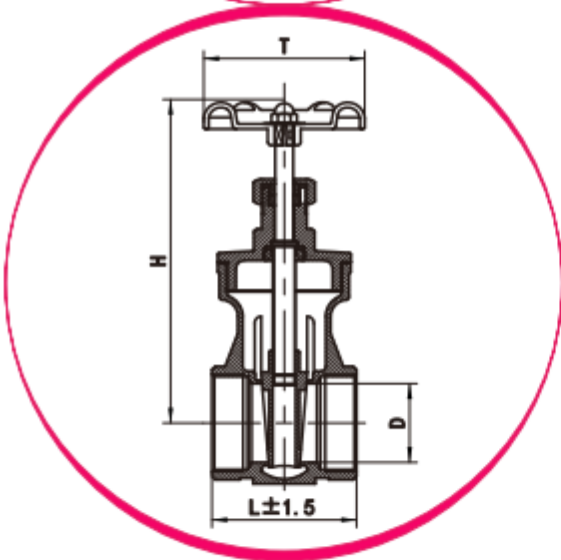
# 奔日阀门® 擅长化工行业

— 出口欧美16年 —

## 仪表阀系列

## INSTRUMENTATION VALVE SERIES





### 标准/STANDARD

螺纹标准: BSP/BSPT/PT/NPT/ISO-228

公称口径: 1/2"-2"

公称压力: PN16/200WOG/10K

适用温度: -29°C~230°C

通用介质: 水、油、气、酸碱类

Thread standard: BSP/BSPT/PT/NPT/ISO-228

Nominal diameter: 1/2"-2"

Nominal pressure: PN16/200WOG/10K

Applicable temperature: -29°C~230°C

Applicable media: Water, Oil, Gas, and So On

### 材料表/MATERIAL LIST

序号	零件名称 PART	材质 MATERIALS	数量 QTY
1	阀瓣 DISC	CF8/CF8M	1
2	阀体 BODY	CF8/CF8M	1
3	阀杆架 STEM HOLDER	S304/S316	1
4	垫圈 JOINT GASKET	PTFE/RPTFE	1
5	垫片 GASKET	S201 /S304	1
6	阀盖 CAP	CF8/CF8M	1
7	填料 PACKING	PTFE/RPTFE	1
8	压盖 GLAND	S201/S304	1
9	螺母 NUT	S201 /S304	1
10	阀杆 STEM	S304/S316	1
11	铭牌 NAMEPLATE	ALLOY	1
12	螺母 NUT	S201 /S304	1
13	手轮 HANDLE WHEEL	CI	1

SIZE	DN	D	L±1.5	H	T
1/2"	15	15	51	69.5	60
3/4"	20	20	54	82	60
1"	25	25	60	91.5	60
1 1/4"	32	32	61	105	72
1 1/2"	40	40	64	126.5	72
2"	50	50	70	77	132.5

## THREADED GLOBE VALVE

### 标准 / STANDARD

螺纹标准: BSP/BSPT/PT/NPT/ISO-228

公称直径: 1/2"-2"

公称压力: PN16/200WOG/10K

适用温度: -29°C~230°C

通用介质: 水、油、气、酸碱类

Thread standard: BSP/BSPT/PT/NPT/ISO-228

Nominal diameter: 1/2"-2"

Nominal pressure: PN16/200WOG/10K

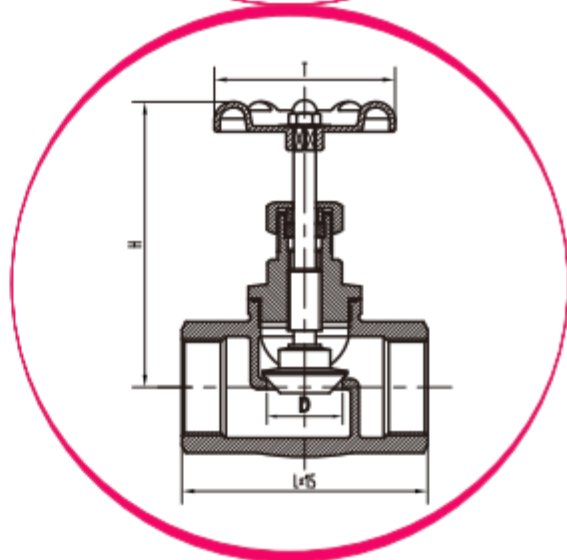
Applicable temperature: -29°C~230°C

Applicable media: Water, Oil, Gas, and So On

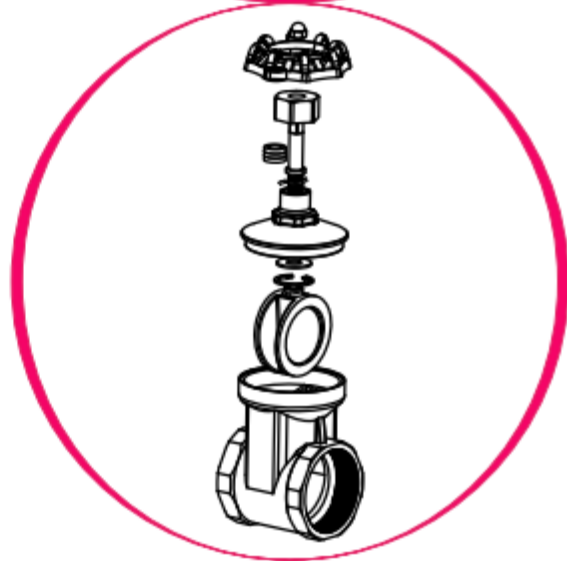


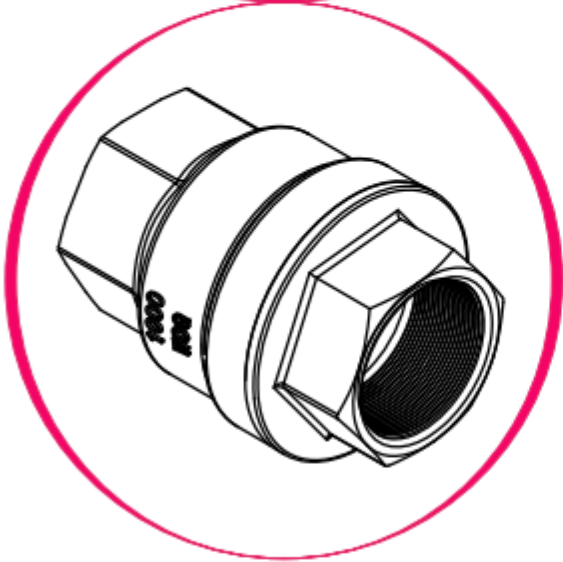
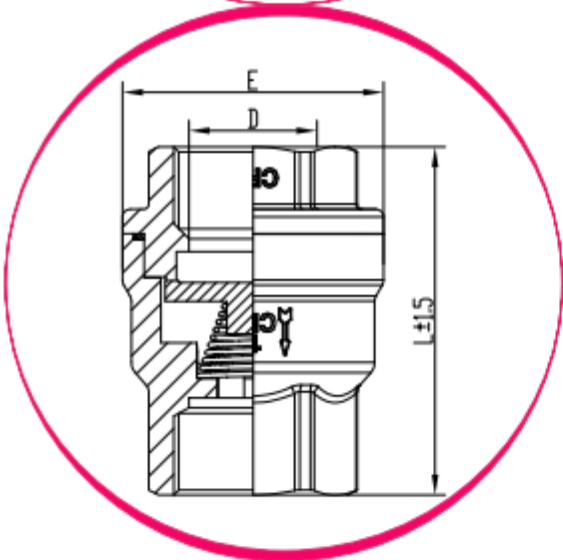
### 材料表 / MATERIAL LIST

序号	零件名称 PART	材质 MATERIALS	数量 QTY
1	阀瓣 DISC	CF8/CF8M	1
2	阀体 BODY	CF8/CF8M	1
3	垫圈 JOINT GASKET	PTFE/RPTFE	1
4	阀盖 CAP	CF8/CF8M	1
5	阀杆 STEM	S304/S316	1
6	填料 PACKING	PTFE/RPTFE	1
7	压盖 GLAND	S201/S304	1
8	螺母 NUT	S201/S304	1
9	手轮 HANDLE WHEEL	CI	1
10	铭牌 NAMEPLATE	ALLOY	1
11	螺母 NUT	S201/S304	1



SIZE	DN	D	L±1.5	H	T
1/2"	15	15	66	85	62
3/4"	20	20	81	92	62
1"	25	25	87	97	71
1 1/4"	32	32	96	116	95
1 1/2"	40	40	108	124	97
2"	50	50	129	141	107
2 1/2"	65	65	164	170	127





#### 标准/STANDARD

螺纹标准: BSP/BSPT/PT/NPT/ISO-228

公称直径: 1/4"-4"

公称压力: PN16/1000WOG/10K

适用温度: -29°C~230°C

通用介质: 水、油、气、酸碱类

Thread standard: BSP/BSPT/PT/NPT/ISO-228

Nominal diameter: 1/4"-4"

Nominal pressure: PN16/1000WOG/10K

Applicable temperature: -29°C~230°C

Applicable media: Water, Oil, Gas, and So On

#### 材料表/MATERIAL LIST

序号	零件名称 PART	材质 MATERIALS	数量 QTY
1	阀体 BODY	CF8/CF8M	1
2	弹簧 SPRING	SS304/SS316	1
3	阀瓣 DISC	CF8/ CF8M	1
4	阀盖 CAP	CF8/ CF8	1
5	垫圈 JOINT GASKET	PTFE/RPTFE	1

SIZE	DN	D	E	L±1.5
1/4"	8	10		49
3/8"	10	10	29	48.5
1/2"	15	15	34	56
3/4"	20	20	43	63
1"	25	25	51	68
1 1/4"	32	32	61	76
1 1/2"	40	40	71	89
2"	50	50	87	109
2 1/2"	65	65	114	129
3"	80	80	133	144.5
4"	100	100	158	166

## THREADED SWING CHECK VALVE

### 标准 / STANDARD

螺纹标准: BSP/BSPT/PT/NPT/ISO-228

公称口径: 1/2"-4"

公称压力: PN16/200WOG/10K

适用温度: -29°C~230°C

通用介质: 水、油、气、酸碱类

Thread standard: BSP/BSPT/PT/NPT/ISO-228

Nominal diameter: 1/2"-4"

Nominal pressure: PN16/200WOG/10K

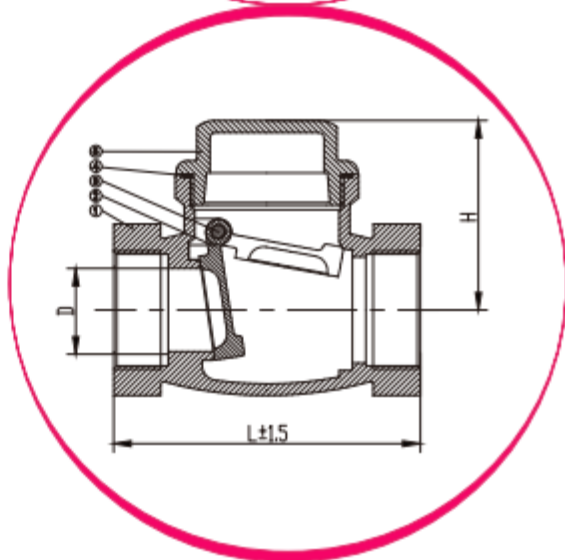
Applicable temperature: -29°C~230°C

Applicable media: Water, Oil, Gas, and So On

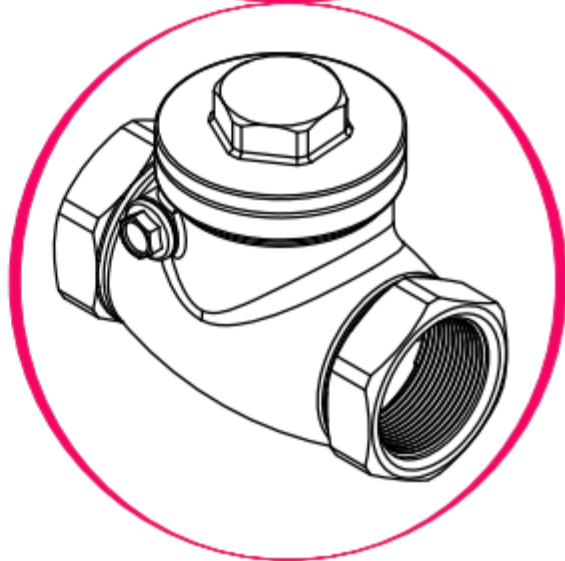


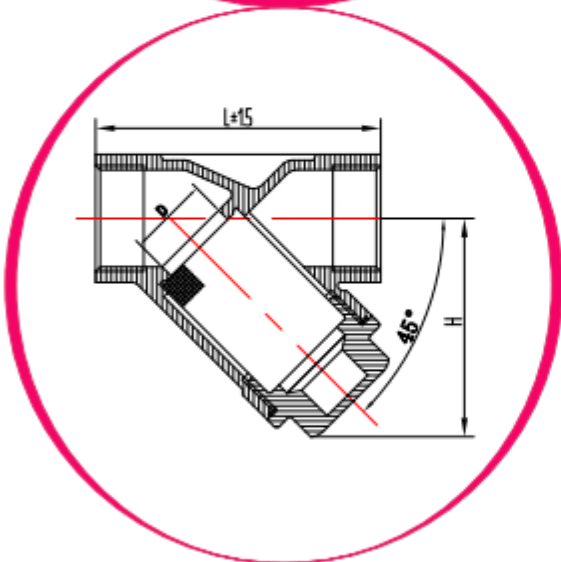
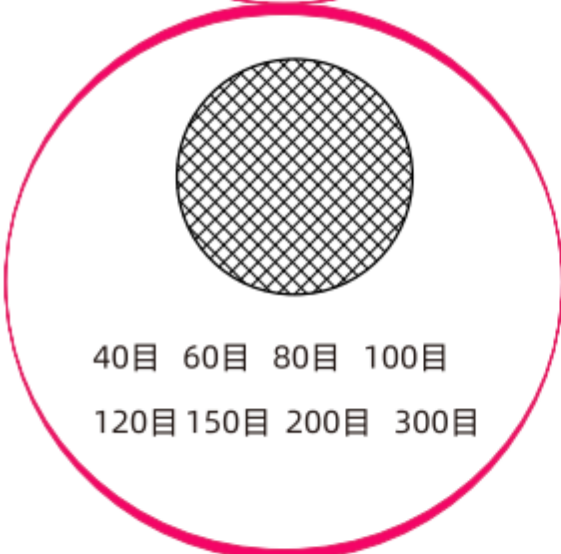
### 材料表 / MATERIAL LIST

序号	零件名称 PART	材质 MATERIALS	数量 QTY
1	阀体 BODY	CF8/CF8M	1
2	阀瓣 DISC	CF8/CF8M	1
3	挂钩销 HANDLE	S5304/S5316	1
4	垫圈 JOINT GASKET	PTFE/RPTFE	1
5	阀盖 CAP	CF8/CF8M	1



SIZE	DN	D	L±1.5	H
1/2"	15	15.5	62	38
3/4"		20	75	45
1"	25	24.7	84	49
1 1/4"	32	31	100	55
1 1/2"	40	37	115	61
2"	50	47.6	134	71
2 1/2"	65	65	164	91
3"	80	76.5	190	103
4"	100	96	237	136





### 标准/STANDARD

螺纹标准: BSP/BSPT/PT/NPT/ISO-228

公称直径: 1/4"-4"

公称压力: PN16/800WOG/10K

适用温度: -29°C~230°C

通用介质: 水、油、气、酸碱类

Thread standard: BSP/BSPT/PT/NPT/ISO-228

Nominal diameter: 1/4"-4"

Nominal pressure: PN16/800WOG/10K

Applicable temperature: -29°C~230°C

Applicable media: Water, Oil, Gas, and So On

### 材料表/MATERIAL LIST

序号	零件名称 PART	材质 MATERIALS	数量 QTY
1	阀体 BODY	CF8/CF8M	1
2	滤网 FILTER	304/316	1
3	垫圈 JOINT GASKET	PTFE/RPTFE	1
4	阀盖 CAP	CF8/CF8M	1

SIZE	DN	D	L±1.5	H
1/4"	8	11	54	35
3/8"	10	11	55	35
1/2"	15	15	59	40
3/4"	20	20	73	50
1"	25	25	84	60
1 1/4"	32	30	97.5	67
1 1/2"	40	38	107	74
2"	50	47	126	90
2 1/2"	65	56	165	113
3"	80	65	189	134
4"	100	86	234	165



可齿轮箱式



可电动式

## THREADED Y-TYPE CHECK VALVE

### 标准 / STANDARD

螺纹标准: BSP/BSPT/PT/NPT/ISO-228

公称口径: 1/4"-4"

公称压力: PN16/800WOG/10K

适用温度: -29°C~230°C

通用介质: 水、油、气、酸碱类

Thread standard: BSP/BSPT/PT/NPT/ISO-228

Nominal diameter: 1/4"-4"

Nominal pressure: PN16/800WOG/10K

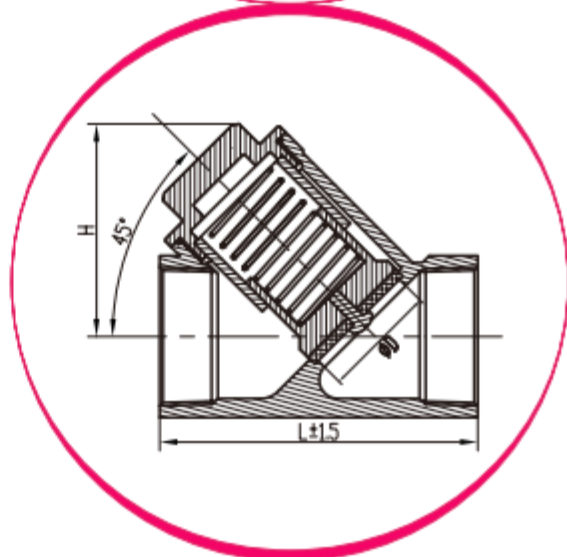
Applicable temperature: -29°C~230°C

Applicable media: Water, Oil, Gas, and So On

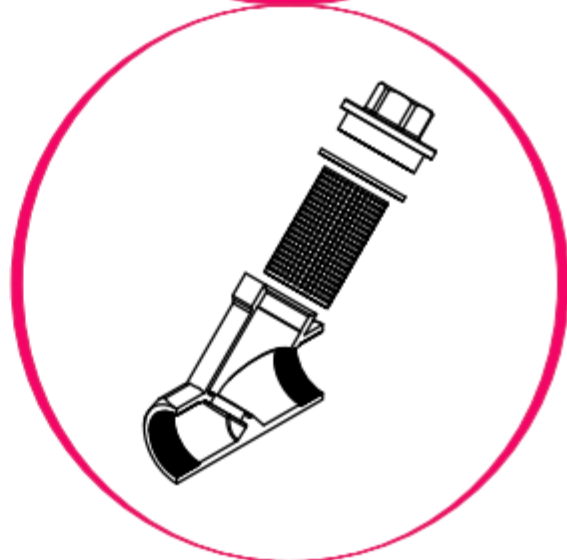


### 材料表 / MATERIAL LIST

序号	零件名称 PART	材质 MATERIALS	数量 QTY
1	阀体 BODY	CF8/CF8M	1
2	密封圈 DISC SEAT	PTFE/RPTFE	1
3	阀瓣 DISC	CF8/CF8M	1
4	弹簧 SPRING	201/304	1
5	垫圈 JOINT GASKET	PTFE/RPTFE	1
6	阀盖 CAP	CF8/CF8M	1



SIZE	DN	D	L±1.5	H
1/4"	8	8	54	35
3/8"	10	10	59	35
1/2"	15	15	59	45
3/4"	20	20	72	50
1"	25	25	84	53
1 1/4"	32	32	97	67
1 1/2"	40	40	107	72
2"	50	50	127	90
2 1/2"	65	65	166	112
3"	80	80	188	153
4"	100	100	234	196



可气动式



可手柄式